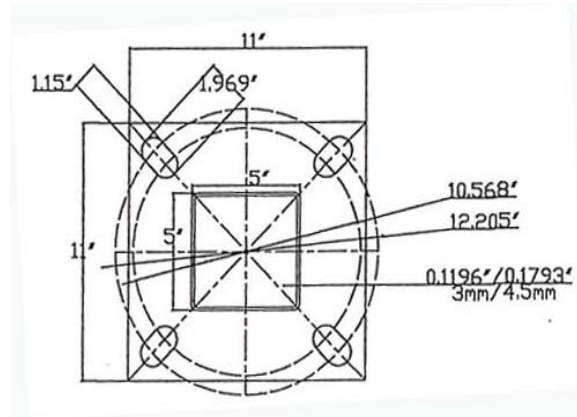
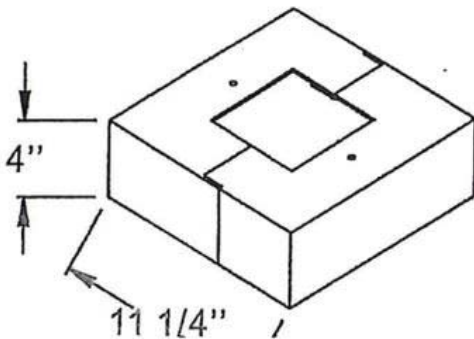


### FEATURES & BENEFITS

- ◆ Polycarbonate lexan spring loaded cover
- ◆ 12 top holes w/polycarbonate lexan bushings
- ◆ Reinforced hand hold cover
- ◆ Anchor bolts and template included
- ◆ Easily secured base cover
- ◆ Bronze polyester powder-coat finish
- ◆ Pole cap is included
- ◆ Conforms to ASTM-A-500 Grade B; Minimum yield strength of 46,000 PSI
- ◆ Polyester powder coated finish on Sandblasted Surface Chemical Treated to insure Maximum Paint Adhesion, Baked at 400° to ensure Maximum Hardness and Durability
- ◆ Wall Thickness available in Gauge 11 (.120") or Gauge 7 (.180")
- ◆ Meets ASTM 500 standard

Item Number	Dimensions (LxWxH)
MIPK305SQNT	30 ft. 5x5 Square 11 Gauge Pole

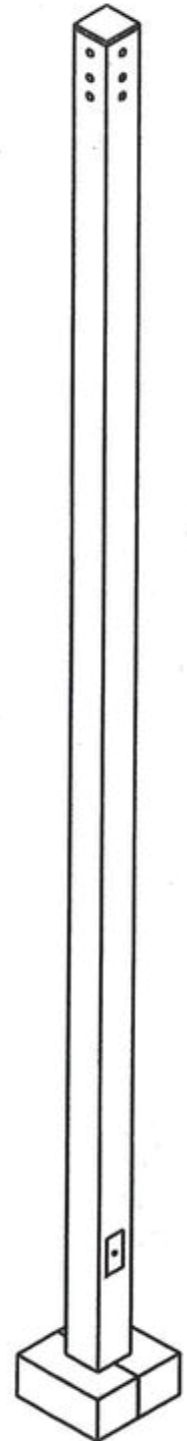
Shaft Size	Gauge	Base Plate Size	Bolt Circle	Bolt Size	Weight (lbs)
30'	11	11" x 11" x 1"	12" x 3/4"	1" x 3/6"	290



Pole does not include tenon.  
Poles can be cut to any length.

### Wind Specifications

Wind Data (see Pole # above)	POLE	80 MPH Max EPA	80 MPH Max Fixture Weight (lbs)	90 MPH Max EPA	90 MPH Max Fixture Weight (lbs)	100 MPH Max EPA	100 MPH Max Fixture Weight (lbs)
5	30' 5SQ 11 Ga.	6.1	250	3.2	200	N/A	N/A



Dimensions and specifications subject to change without notice.

**ACCESSORIES**



Item #	Description	Finish/Color	Weight (lbs)	Units/Carton
MITVA4	4" Square Vertical Tenon	Bronze	2.7	12
MITVA5	5" Square Vertical Tenon	Bronze	2.9	12

2" Slip Fitter



Item #	Description	Finish/Color	Dimensions	Weight (lbs)	Units/Carton
MITV2	Twin Square Vertical Tenon	Bronze	24 2/5"	4.2	1

2" Slip Fitter



Item #	Description	Finish/Color	Dimensions	Weight (lbs)	Units/Carton
MITV3	Triple Square Vertical Tenon	Bronze	24 2/5"x24 2/5"	4.2	1

2" Slip Fitter



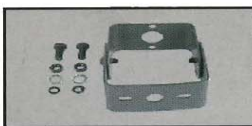
Item #	Description	Finish/Color	Dimensions	Weight (lbs)	Units/Carton
MITVC4	90° Quad Square Vertical Tenon	Bronze	34 1/4"	4.9	1

2" Slip Fitter



Item #	Description	Finish/Color	Dimensions	Weight (lbs)	Units/Carton
MITV4	180° Quad Square Vertical Tenon	Bronze	24"x24"x24"	5.7	1

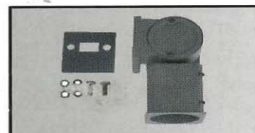
2 Piece U-bracket



Accessories

MIA41

Adjustable Slip Fitter



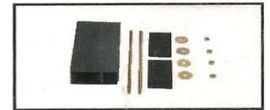
MIA2AF

Mounting Arm 6"



MISSA-M

Mounting Arm 10"



MISSA

Dimensions and specifications subject to change without notice.