

APPLICATIONS

The MIMDCOWPK Decorative Full Cut-off Wall Pack is ideal for security, accent and perimeter lighting. Applications include entrance ways, garages, and commercial buildings. The MIMDCOWPK utilizes High-Power LEDs which produce no UV rays; are instant on/off are mounted on an aluminum heat sink. The driver is multi-volt and constant current design - solid state - high shock / vibration resistant. The housing is made of a die-cast aluminum. The Lens is a glass optical diffuser. Standard finish is bronze. Back plate with cast-in knockouts for alignment with all standard recessed boxes.

FEATURES & BENEFITS

- ◆ Heavy Duty Die Cast Aluminum Housing
- ◆ Tempered Glass Lens
- ◆ Die Cast Hinged Front & Rear Housings, Gasket
- ◆ Coin Plugs on Sides and Back
- ◆ Built-In Template for Mounting to Electrical Box
- ◆ Chromate Conversion Coating
- ◆ Textured Bronze Finish
- ◆ Meets Local "Dark Sky" Requirements
- ◆ cETL_{US} or UL Listed (wet location)



28W - 45W
Replaces
Up to 250WMH

ORDERING DATA

EXAMPLE: MIMDCOWPKLED28MV50

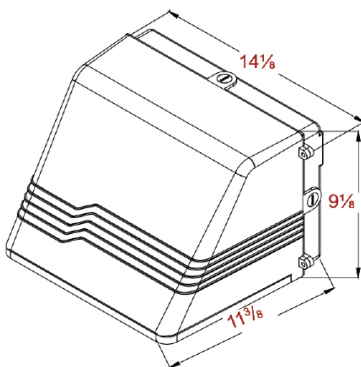
MIMDCOWPK	LED	Wattage/Lumens		Driver*	Color Temp*	Options
Series	Gear					
MIMDCOWPK Decorative LED Wall Pack	LED	14	14 Watts 1380 Lumens	MV 120 - 277VAC	30 3000K	PC120 Photo Cell, 120V
		28	28 Watts 2660 Lumens	DMV 120-277VAC	40 4000K	PC277 Photo Cell, 277V
		42	42 Watts 4210 Lumens	0-10V Dimmable	50 5000K	EM Emergency*
		45	45 Watts 4900 Lumens		55 5500K	
		56	56 Watts 5030 Lumens			

*See chart for availability

SPECIFICATIONS

Model	Input Watts	CRI	Color Temp x100 (K)	Dimmable	Lens	EM	Replaces	UL/ETL	BAA Compliant
MIMDCOWPKLED14MVxx	14W	80+	30,40,50,55	Yes	Glass	Yes	Up to 100MH	ETL	Yes
MIMDCOWPKLED28MVxx	28W	80+	30,40,50,55	Yes	Glass	Yes	Up to 175MH	ETL	Yes
MIMDCOWPKLED42MVxx	42W	80+	30,40,50,55	Yes	Glass	Yes	Up to 205MH	ETL	Yes
MIMDCOWPKLED45MVxx	45W	80+	40,50	No	Polycarbonate	No	Up to 250MH	US	No
MIMDCOWPKLED56MVxx	56W	80+	30,40,50,55	yes	Glass	Yes	Up to 250MH	ETL	Yes

DIMENSIONS



Dimensions and specifications subject to change without notice.



CAT#			
JOB NAME		TYPE	