

APPLICATIONS

The MILGCOWPK Decorative Full Cut-off Wall Pack is ideal for security, accent and perimeter lighting. Applications include entrance ways, garages, and commercial buildings. The driver is a multi-volt and constant current design - solid state - high shock / vibration resistant. The housing is made of a die-cast aluminum. The lens is a glass optical diffuser. Standard finish is bronze. Back plate with cast-in knockouts for alignment with all standard recessed boxes.

FEATURES & BENEFITS

- ◆ Heavy Duty Die Cast Aluminum Housing
- ◆ Tempered Glass Lens
- ◆ Die Cast Hinged Front & Rear Housings, Gasket
- ◆ Coin Plugs on Sides and Back
- ◆ Built-In Template for Mounting to Electrical Box
- ◆ Chromate Conversion Coating
- ◆ Textured Bronze Finish
- ◆ Meets "Dark Sky" Requirements
- ◆ IP65 Rating
- ◆ cETL_{us} or UL listed (wet location)



28-135W

Replaces
Up to 400WMH

IP65
CERTIFIED

ORDERING DATA

EXAMPLE: MILGCOWPKLED56MV30

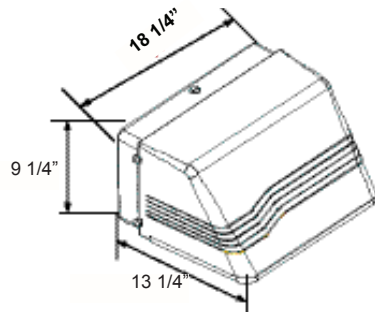
MILGCOWPK	LED	Wattage/Lumens		Driver*	Color Temp*	Options
Series	Gear					
MILGCOWPK	LED	28	28 Watts 2600 Lumens	MV	3000K	PC120 Photo Cell, 120V
Large		42	42 Watts 4210 Lumens	Multivolt	4000K	PC277 Photo Cell, 277V
Decorative		56	56 Watts 5440 Lumens	DMV	5000K	EM Emergency*
LED Wall		70	70 Watts 6710 Lumens	0-10V Dimmable	5500K	
Pack		84	84 Watts 8140 Lumens			
		90	90 Watts 9500 Lumens			
		135	135 Watts 14000 Lumens			

*See chart for availability

SPECIFICATIONS

Model	Input Watts	CRI	Color Temp x100 (K)	Dimmable	Lens	EM	Replaces	UL/ETL	BAA Compliant
MILGCOWPKLED28MVxx	28W	≥80	30,40,50,55	Optional	Glass	Yes	175	ETL	Yes
MILGCOWPKLED42MVxx	42W	≥80	30,40,50,55	Optional	Glass	Yes	250	ETL	Yes
MILGCOWPKLED56MVxx	56W	≥80	30,40,50,55	Optional	Glass	Yes	400	ETL	Yes
MILGCOWPKLED70MVxx	70W	≥80	30,40,50,55	Optional	Glass	Yes	400	ETL	Yes
MILGCOWPKLED84MVxx	84W	≥80	30,40,50,55	Optional	Glass	No	400	ETL	Yes
MILGCOWPKLED90MVxx	90W	≥80	50	No	Polycarbonate	No	400	UL	No
MILGCOWPKLED135MVxx	135W	≥80	50	No	Polycarbonate	No	400	UL	No

DIMENSIONS



Dimensions and specifications subject to change without notice.



CAT#			
JOB NAME		TYPE	