

FEATURES & BENEFITS

- ◆ Seamless fixture housing, die cast aluminum
- ◆ Hinged door frame, die cast aluminum
- ◆ Clear lens, heat and impact resistant tempered glass
- ◆ Segmented optics
- ◆ Durable powder coat finish. Standard colors: bronze, black or white. Custom colors on request
- ◆ ETL Listed for wet locations

STANDARD FLOOD

Three Sizes: 16" x 16" x 6.75",
22" x 22" x 9.25"

EPA Ratings

16" Housing 0° Tilt - EPA: .95
 16" Housing 20° Tilt - EPA: 1.27
 16" Housing 60° Tilt - EPA: 1.78
 22" Housing 0° Tilt - EPA: 1.64
 22" Housing 20° Tilt - EPA: 3.34
 22" Housing 60° Tilt - EPA: 3.26



Standard Flood Order Information

| Size | Catalog # | Wattage |
|------|---------------------|---------------------|
| 16" | MIMCOFLT150HPSQV | 150W-HPS-QV-CWA |
| 16" | MIMDCOFLT150HPS480 | 150W-HPS-480-CWA |
| 16" | MIMDCOFLT250HPSQV | 250W-HPS-QV-CWA |
| 16" | MIMDCOFLT250HP480 | 250W-HPS-480-CWA |
| 16" | MIMDCOFLT400HPSQV | 400W-HPS-QV-CWA |
| 16" | MIMDCOFLT400HPS480 | 400W-HPS-480-CWA |
| 16" | MIMDCOFLT175MHQV | 175W-MH-PS-QV-SCWA |
| 16" | MIMDCOFLT175MH480 | 175W-MH-PS-480-SCWA |
| 16" | MIMDCOFLT250MHQV | 250W-MH-PS-QV-SCWA |
| 16" | MIMDCOFLT250MH480 | 250W-MH-PS-480-SCWA |
| 16" | MIMDCOFLT400MHPSQV | 400W-MH-PS-QV-SCWA |
| 16" | MIMDCOFLT400MHPS480 | 400W-MH-PS-480-SCWA |
| 22" | MILGCOFLT1000HPSQV | 1000W-HPS-QV-CWA |
| 22" | MILGCOFLT1000HPS480 | 1000W-HPS-480-CWA |
| 22" | MILGCOFLT1000MHQV | 1000W-MH-QV-CWA |
| 22" | MILGCOFLT1000MH480 | 1000W-MH-480-CWA |

OPTIONS

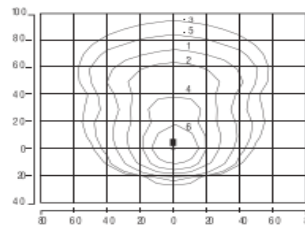
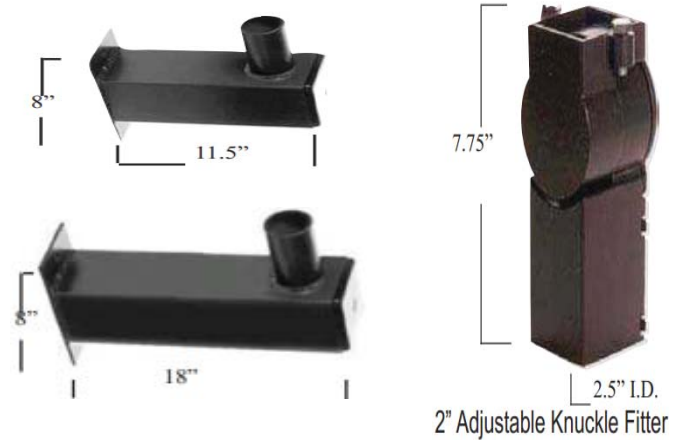
Pulse Start Ballast = PS
 Pulse Arc packages available
 Power Factor Correcting Capacitor available

See below for Arm Fitting Specifications

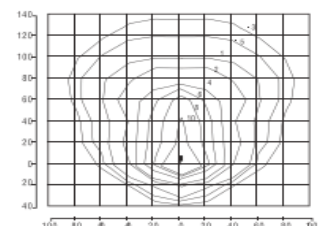
*ARM FITTING SPECIFICATIONS

12" & 16" Housing requires MIPMV for multiple units placed at 90°
 22" Housing requires MIPMVS18 for multiple units placed at 90°
 For dual units placed at 180° parallel to building requires MIPMVS18.

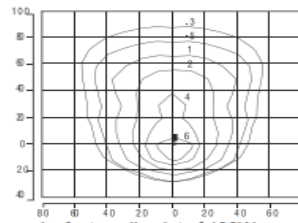
Other housing and arm configurations are available. Please contact your Mobern Lighting Company Sales Representative for more information.



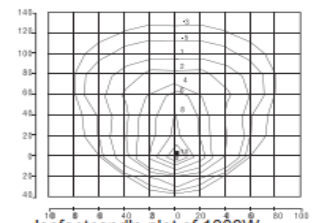
Isofootcandle plot of 400W
HPS mounted at 25' w/ 0° tilt.



Isofootcandle plot of 1000W
HPS mounted at 30' w/ 0° tilt.



Isofootcandle plot of 400W
MH mounted at 25' w/ 0° tilt.



Isofootcandle plot of 1000W
MH mounted at 30' w/ 0° tilt.

Dimensions and specifications subject to change without notice.