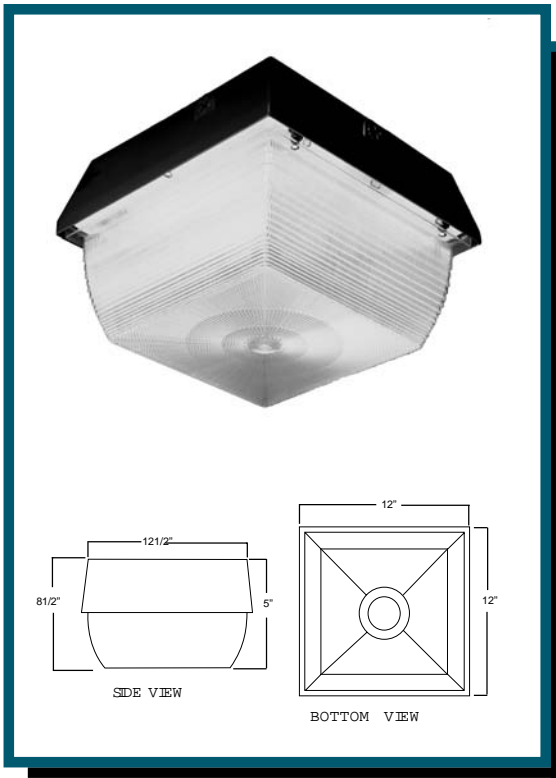


# Series MICL - CANOPY LIGHT



### FIXTURE HOUSING

Die cast aluminum with durable powder coat finish.

### OPTICS

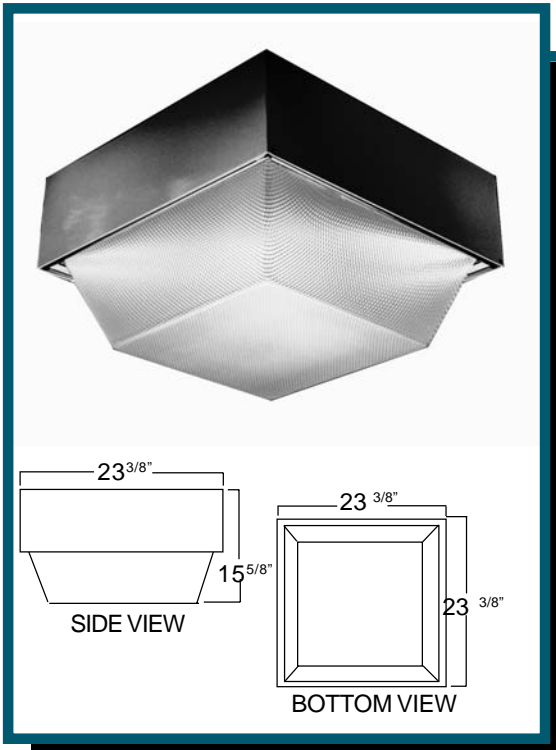
Multi patterned, clear plastic lens. Retrofit **glass** kit available.

### BALLAST

All CL Canopy fixtures come standard with a high power ballast. (except 50W HPS).

## CL CANOPY LIGHT ORDER INFORMATION

HIGH PRESSURE SODIUM		METAL HALIDE	
CATALOG#	WATTAGE	CATALOG#	WATTAGE
MIMDCL50HPS	HPS 50W -120W -NPF	MIMDCL50MHQV	MH 50W-MT
MIMDCL70HPSQV	HPS 70W-MT	MIMDCL70MHQV	MH 70W-MT
MIMDCL70HPS480	HPS 70W-480V	MIMDCL100MHQV	MH 100W-MT
MIMDCL100HPSQV	HPS 100W-MT	MIMDCL175MHQV	MH 175W-MT
MIMDCL100HPS480	HPS 100W-480V	MIMDCL175MH480	MH 175W-480V
MIMDCL150HPSQV	HPS 150W-MT	<b>RETRO FIT KIT</b>	
MIMDCL150HPS480	HPS 150W-480V	MICLS-RETROFIT	Glass Kit



### FIXTURE HOUSING

The housing is a fabricated body constructed of aluminum and welded to insure smooth construction. Constructed with mitered corners to insure weatherproof integrity.

### LENS/DOOR FRAME

The door frame is constructed of extruded aluminum with mitered corners. The lens is a drop prismatic acrylic assembly that is impact resistant and UV stabilized to prevent yellowing. The silicone gasket insures a weather tight seal.

### REFLECTOR

The reflector is four sided and constructed of a high specular aluminum for better fixture efficiency.

### WARRANTY

All Mobern Lighting Company Canopy Lights are guaranteed for 1 year from defects in materials and workship.

## CL CANOPY ORDER INFORMATION

CATALOG#	WATTAGE
*MILGCL175MHQV	MH 175W-MT
*MILGCL250MHQV	MH 250W-MT
*MILGCL400MHQV	MH 400W-MT
*MILGCL250HPSQV	HPS250-MT
*MILGCL400HPSQV	HPS400-MT
*For 480V CHANGE "QV" TO 480	

Cat. No:

Job Name:

Type:

410-792-4500 Fax 301-953-9310 800-444-9288

Mobern Lighting Company