

APPLICATIONS

The Mobern Flex Pro Series of Luminaires is a customizable LED Area Light designed around a sleek, multi-purpose built housing and features an array of wattage and color temperature options. The Flex Pro Series is your perfect choice for achieving the highest energy efficiency while maximizing light output. With multiple mounting options available, this area light is ideal for general area lighting, parking lots, walkways, underpasses and other pedestrian areas.

FEATURES & BENEFITS

- ◆ Housing is a Die-Cast Aluminum
- ◆ High Quality Powder Coat Silver Finish
- ◆ Lens is Clear Acrylic
- ◆ Mounting from 12 to 50 Feet
- ◆ LED Gear is a linear array of Bridgelux LED's 20x1W LED per each board
- ◆ 100 - 277VAC 50/60Hz
- ◆ Rated Life of 50,000 hrs
- ◆ cULus Listed for Wet Location
- ◆ 115 Lm/W
- ◆ 5 Year Standard Warranty



CANOPY



60W - 250W

Replaces
Up to 1000W MH



SPECIFICATIONS

Die Cast Aluminum Housing finished in a High Quality Powder Silver Finish. The fixtures are specification grade customizable build around a common core housing. LED gear is Bridgelux and Meanwell drivers. IP66; carrying a 5 year system warranty standard. Listed and bears a cULus label for wet location.

ORDERING DATA

EXAMPLE: MFPALD60MV41BK

| MFP | | LED | | Voltage | | Color Temp | | Finish | | Options | | |
|------------|---------------------|------------|------------------|------------------------|-----------|------------|-----------|--------|--------------|--------------|-------------|--------------------|
| Series | Fixture Type | Gear | Wattage / Lumens | | | | | | | | | |
| MFP | A Area | LED | 60 | 60 Watts 8880 Lumens | MV | Multi-Volt | 30 | 3000K | Blank | Silver (std) | 40D | 40° Beam Angle |
| Flex Pro | C Canopy | | 100 | 100 Watts 14390 Lumens | | 120-277 | 35 | 3500K | BK | Black | | Type V |
| LED Light | F Flood | | 120 | 120 Watts 17770 Lumens | | | 41 | 4100K | BZ | Bronze | 80D | 80° Beam Angle |
| | HB High Bay | | 150 | 150 Watts 22050 Lumens | | | 50 | 5000K | DG | Dark Gray | | Type V |
| | PT Post Top | | 200 | 200 Watts 29540 Lumens | | | 60 | 6000K | | | 170D | 170° Beam Angle |
| | W Wall Mount | | 250 | 250 Watts 36040 Lumens | | | | | | | | Type V |
| | | | 300 | 300 Watts 44575 Lumens | | | | | | | | Type IV |
| | | | | | | | | | | | | T3 Type III |
| | | | | | | | | | | | | T2 Type II |
| | | | | | | | | | | | | T1 Type I |

*Based on 4100K

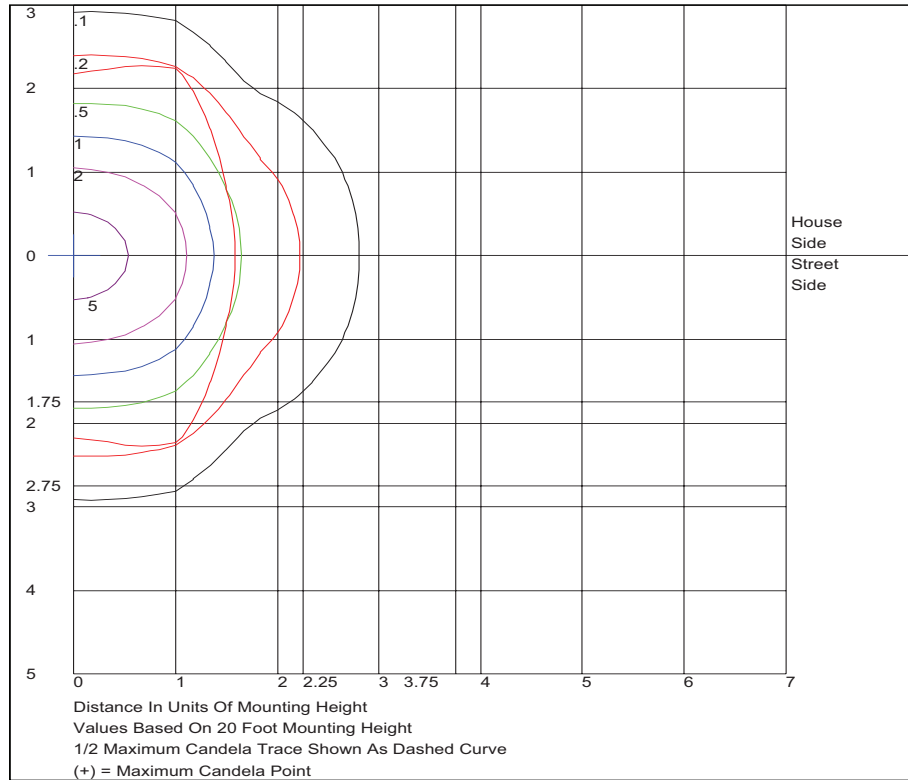
Dimensions and specifications subject to change without notice.



◆ 800-444-WATT ◆ www.mobern.com ◆
8200 Stayton Drive, Ste. 500. Jessup, MD 20794

| | |
|----------|------|
| CAT# | |
| JOB NAME | TYPE |

PHOTOMETRIC DATA



IES ROAD REPORT
PHOTOMETRIC FILENAME : MFPA100LED.IES
CHARACTERISTICS

| | |
|---|----------------------------|
| IES Classification | Type VS |
| Longitudinal Classification | Very Short |
| Lumens Per Lamp | 103.6 (100 lamps) |
| Total Lamp Lumens | 10360 |
| Luminaire Lumens | 10321 |
| Downward Total Efficiency | 100 % |
| Total Luminaire Efficiency | 100 % |
| Luminaire Efficacy Rating (LER) | 103 |
| Total Luminaire Watts | 100 |
| Ballast Factor | 1.00 |
| Maximum Candela | 3060.344 |
| Maximum Candela Angle | 90H 0V |
| Maximum Candela (<90 Degrees Vertical) | 3060.344 |
| Maximum Candela Angle (<90 Degrees Vertical) | 90H 0V |
| Maximum Candela At 90 Degrees Vertical | 37.938 (0.4% Lamp Lumens) |
| Maximum Candela from 80 to <90 Degrees Vertical | 946.904 (9.1% Lamp Lumens) |
| Cutoff Classification (deprecated) | Cutoff |

| Watts | Lumens | Efficacy | Modules | X" (width) | EPA |
|-------|--------|----------|---------|------------|-------|
| 60 | 6900 | 115 LM/W | 2 | 10.7" | 1.884 |
| 100 | 11780 | 115 LM/W | 3 | 13.5" | 2.292 |
| 120 | 14130 | 115 LM/W | 4 | 16.3" | 2.712 |
| 150 | 17240 | 115 LM/W | 5 | 19.1" | 3.12 |
| 200 | 23220 | 115 LM/W | 6 | 21.9" | 3.528 |
| 250 | 28800 | 115 LM/W | 7 | 24.7" | 3.948 |

Dimensions and specifications subject to change without notice.



◆ 800-444-WATT ◆ www.mobern.com ◆

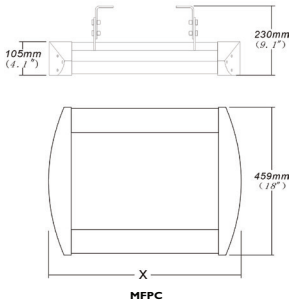
8200 Stayton Drive, Ste. 500. Jessup, MD 20794

CAT#

JOB NAME

TYPE

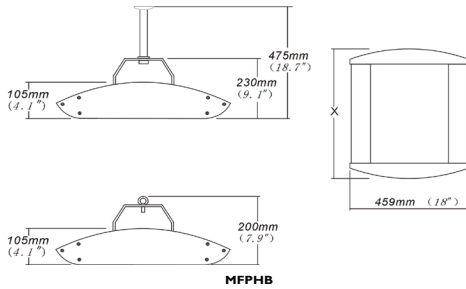
DIMENSIONS



MFPC



MFPW



MFPHB



MFPHB

* Consult about Pendant Mount
* Eye Hook standard



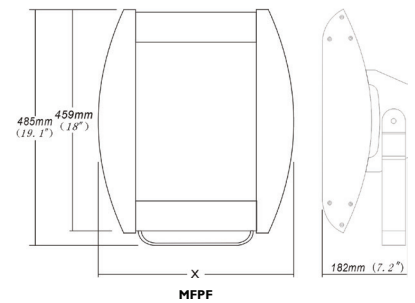
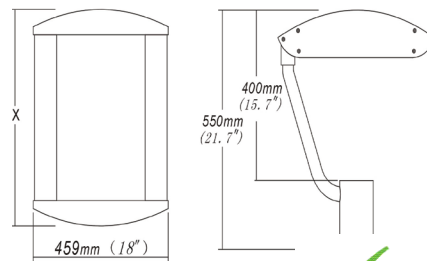
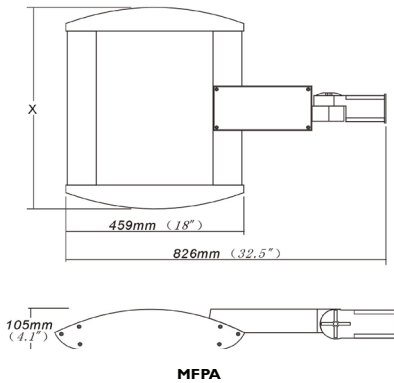
MFPA



MFPPT



MFPF



Dimensions and specifications subject to change without notice.

◆ 800-444-WATT ◆ www.mobern.com ◆
8200 Stayton Drive, Ste. 500. Jessup, MD 20794

CAT#

JOB NAME

TYPE