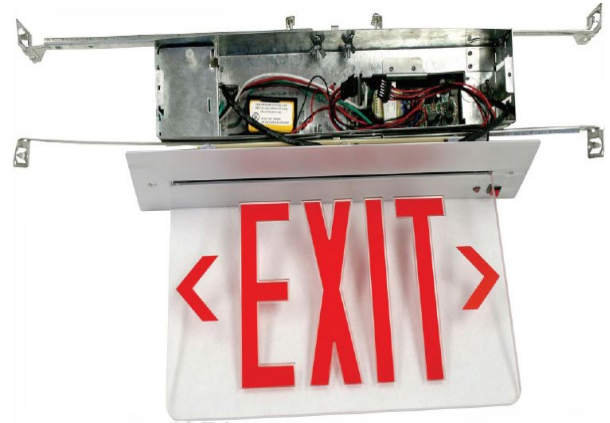


APPLICATIONS

Series MEBRELX is for specification and high end applications where a more attractive exit sign is required.

FEATURES & BENEFITS

- ◆ Series MEBRELX is constructed from premium grade Aluminum
- ◆ Anodized aluminum is standard and Black or White Powder Coated finishes are available.
- ◆ All units are standard with 120/277 input transformer. AC indicator and test light included on emergency units. Emergency unit battery is nacad. Listed for damp location.
- ◆ Illumination is provided by high output, low power consumption LEDs. Removable direction indicators included.
- ◆ Recessed with barhangars with built-in nailers for ceiling wood joists, or slots for T-bar ceiling.
- ◆ UL Listed



WARRANTY

Both the MEBRELX fixture and the internal battery (where applicable) carry a warranty of one year to be free from defective material and workmanship. The battery is pro-rated for a 5-year period when operated at normal ambient temperatures.

ORDERING DATA

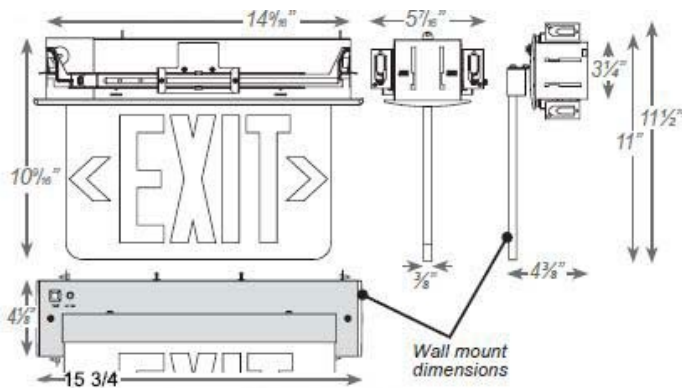
EXAMPLE: MEBRELX W RC A 1

MEBRELX

Series	Housing Color	Panel Color	AC/Battery	# of Faces	Options
MEBRELX	W White Housing B Black Housing A Aluminum Housing	RC Red on Clear* GC Green on Clear* RW Red on White GW Green on White RM Red on Mirror GM Green on Mirror	A AC B Battery Backup	1 Single Face 2 Double Face	Custom Special wording USA Made in USA SDT Self Diagnostics WM Wall Mount

*Aluminum Housing Color is Standard

*Single Face Only



Dimensions and specifications subject to change without notice.