



FEATURES & BENEFITS

ILLUMINATION

- ◆ Sealed and gasketed weather proof lamp heads with tempered glass lenses
- ◆ 7.2W incandescent wedge base lamps

ELECTRICAL

- ◆ Dual 120/277 voltage
- ◆ Charge rate/power "ON" LED indicator light and push-to-test switch for mandated code compliance testing
- ◆ LVD (low voltage disconnect) prevents battery from deep discharge
- ◆ 6V maintenance-free, rechargeable, sealed lead acid battery
- ◆ Internal solid-state transfer switch automatically connects the internal battery to lamp heads for minimum 90-minute emergency illumination
- ◆ Fully automatic solid-state, two-rate charger initiates battery charging to recharge a discharged battery in 24 hours

MOUNTING

- ◆ External mounting brackets for simplified wall mounting provided

HOUSING

- ◆ Corrosion-resistant 5VA flame retardant, UV-stabilized polycarbonate in gray finish
- ◆ Sealed and gasketed housing with hinged cover
- ◆ Sealed test switch

OPTIONS

- ◆ HTR: Optional internal heater for cold temperature applications
- ◆ USA: Substantial transformation assembly in the U.S. complies with "Assembled in the USA" under the Buy American Act

WARRANTY/LISTINGS

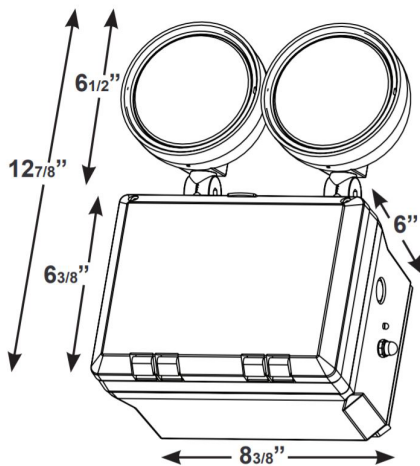
- ◆ Five year warranty on all electronics and housing. Batteries are pro-rated warranted for 2 years
- ◆ Meets UL924, NFPA 101 Life Safety Code, NEC, OSHA, Local and State Codes
- ◆ UL listed for wet locations (5°C - 40°C)

ORDERING DATA

EXAMPLE: MEBEMWP2HTR

MEBEMWP2	
Series	Options
MEBEMWP2 Wet Location Emergency Lighting	HTR Internal Heater USA Assembled in USA RC Remote Capable

DIMENSIONS



Dimensions and specifications subject to change without notice.

