

ILLUMINATION

- ◆ Long-life, efficient ultra-bright white LED
- ◆ 6 watt (2 LEDs x3.0) per unit
- ◆ Mirror-bright reflector and prismatic polycarbonate refractor
- ◆ Can be used as a Normally-ON or Normally-OFF light as well as on a switched circuit.

ELECTRICAL

- ◆ Universal 120-277VAC voltage
- ◆ Charge rate/power "ON" LED indicator light and push to test switch for mandated code compliance testing
- ◆ 4.8V long-life, maintenance-free, rechargeable NiCd battery
- ◆ Internal solid state transfer switch automatically connects the internal battery to LED board for minimum 90-minute emergency illumination
- ◆ Fully automatic solid-state, two rate charger initiates battery charging to recharge a discharged battery in 24 hours.
- ◆ Self-diagnostic test feature continually diagnoses units performance and tests system to ensure reliable operation and to meet electrical and life safety codes.
- ◆ Field-selectable wiring allows for "AC" operation of the unit to be controlled using a wall switch or photocell or any other switching mechanism.

MOUNTING

- ◆ Surface mount via easy connect back plate that fits most standard size junction boxes.
- ◆ Universal K/O pattern on back plate for wall mount
- ◆ Threaded opening at the top of the enclosure for conduit mount

HOUSING

- ◆ Decorative, low-profile architectural design
- ◆ Die-cast aluminum housing
- ◆ Durable powder-coated finishes in white, black and dark bronze
- ◆ Sealed and gasketed



OPTIONS

- ◆ CW: Optional internal heater for extreme cold temperature applications (-20°C - 50°C)
- ◆ PC: Unit features optional photocell technology that automatically responds to low exterior lighting levels in "AC" mode.

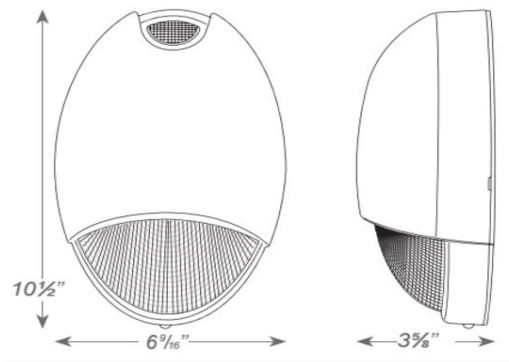
WARRANTY/LISTING

- ◆ Five Year Warranty on all electronics and housing. Battery Pro-rated for five years
- ◆ Meets UL924, NFPA 191 Life Safety Code, Nec, OSHA, Local and State Codes
- ◆ UL listed for wet locations. (0°C-50°C)

ORDERING DATA

EXAMPLE: MEBDEM-ACEMBSDTCW

MEBDEM-ACEM		SDT		Options	
Series	Housing Color	SDT	Self-Diagnostics	CW	Cold Weather
MEBDEM-ACEM	B Black	SDT	Self-Diagnostics	CW	Cold Weather
LED	BZ Dark Bronze			PC	Photocell Sensor
Emergency Unit	W White				
	N Nickel				



STANDARD



OPTIONAL



Dimensions and specifications subject to change without notice.

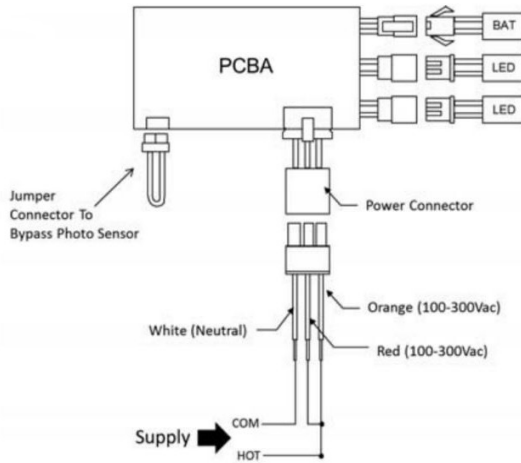
ELECTRICAL INFORMATION

Catalog Number	Input Watts (W)		Input Amps (A)	
	120V	277V	120V	277V
MEBDEM-SDT (w/AC on)	9.0	8.89	0.131	0.068
MEBDEM-SDT (w/AC off)	2.04	2.15	0.035	0.022
MEBDEM-SDT-CW (w/AC on)	18.47	58.89	0.210	0.248
MEBDEM-SDT-CW (w/AC off)	11.51	52.15	0.114	0.202
MEBDEM-SDT-PC (w/AC on)	9.0	8.89	0.131	0.068
MEBDEM-SDT-PC (w/AC off)	2.04	2.15	0.035	0.022
MEBDEM-SDT-CW-PC (w/AC on)	18.47	58.90	0.210	0.248
MEBDEM-SDT-CW-PC (w/AC off)	11.51	52.15	0.114	0.202

WIRING DIAGRAM

NORMALLY ON

Unit ON at all times.



NORMALLY OFF

Unit ON only in emergency mode.

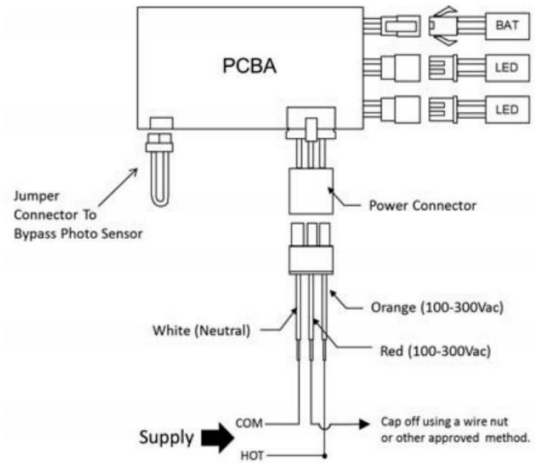
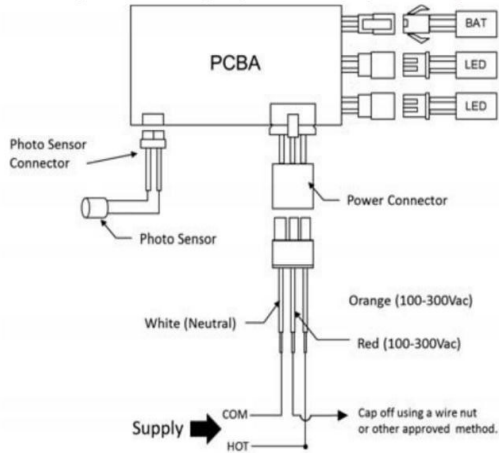


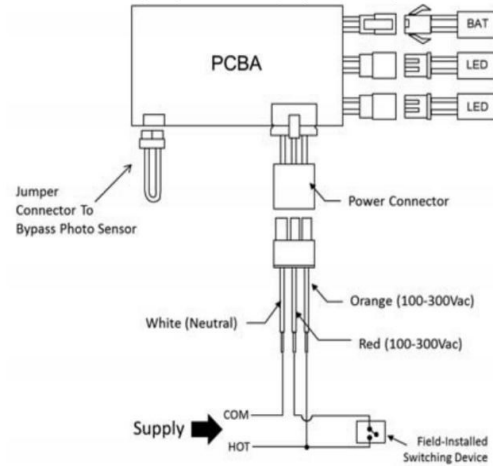
PHOTO SENSOR

Unit ON when there is not enough ambient light; will automatically switch to emergency mode during a power outage.



SWITCHED

Controlled operation in AC mode; will automatically switch to emergency mode during a power outage.



Dimensions and specifications subject to change without notice.