

FEATURES & BENEFITS

ILLUMINATION

- ◆ Long lasting, energy efficient white LED exit sign illumination
- ◆ Single or double face configuration
- ◆ Two 6V 5.3W adjustable white LED lamp heads

ELECTRICAL

- ◆ Dual 120V/277 voltage standard
- ◆ Charge rate/power "ON" LED indicator light and push-to-test switch for mandated code compliance testing
- ◆ 6V long life, maintenance free, rechargeable battery
- ◆ LVD (low voltage disconnect) prevents battery from deep discharge
- ◆ Internal solid-state transfer switch automatically connects the internal battery to LED board for 120 minute emergency illumination
- ◆ Fully automatic solid-state, two rate charger initiates battery charging to recharge a discharged battery in 24 hours
- ◆ Remote capacity option available

MOUNTING

- ◆ Mounting canopy included for top or end mount
- ◆ Universal K/O pattern on back plate for wall mount

HOUSING

- ◆ Durable 20-gauge steel construction
- ◆ White or black finish



WARRANTY / LISTING

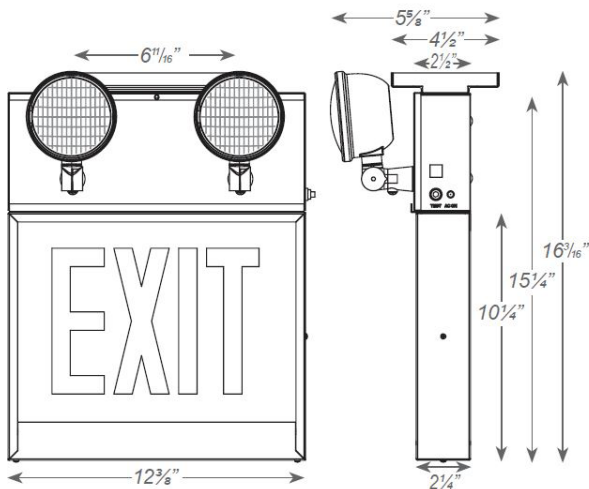
- ◆ Five year warranty on all electronics and housing. Battery pro rated for five years
- ◆ Meets UL924, NFPA 101 Life Safety Code, NEC, OSHA, Local and State Codes
- ◆ UL Listed for damp locations (20°-50°C)

ORDERING DATA

EXAMPLE: MEBCALEDCXTEU1RWRCA

Series	# of Faces	Letters	Housing Color	Options	Directional Arrow
MEBCALEDCXTEU	1 Single Face 2 Double Face	R Red	W White B Black	RC Remote capability	NA Exit No Arrow DA Exit Double Arrow RA' Exit Right Arrow LA' Exit Left Arrow LARA** Exit Left/Right Arrow SWLA' Stairs Left Arrow SWNA Stairs No Arrow SWDA Stairs Double Arrow SWRA' Stairs Right Arrow SWLARA** Stairs Left/Right Arrow

DIMENSIONS



Dimensions and specifications subject to change without notice.

*Available only with single face units
**Available only with double face units



◆ 800-444-WATT ◆ www.mobern.com ◆
8200 Stayton Dr., Ste. 500, Jessup, MD 20794

CAT#	
JOB NAME	
TYPE	