

FEATURES & BENEFITS

ILLUMINATION

- ◆ Two, 6V/12V adjustable bi-pin halogen lamp heads

ELECTRICAL

- ◆ Dual 120V/277 voltage
- ◆ Charge rate/power "ON" LED indicator light and push-to-test switch for mandated code compliance testing
- ◆ LVD (low voltage disconnect) prevents battery from deep discharge
- ◆ 6V sealed lead acid, maintenance-free, rechargeable battery
- ◆ Internal solid-state transfer switch automatically connects the internal battery to lamp heads for minimum 120-minute emergency illumination
- ◆ Fully automatic solid-state, two rate charger initiates battery charging to recharge a discharged battery in 24 hours
- ◆ Remote capacity of 26W standard on 76W available on 5W and 100W models respectively

MOUNTING

- ◆ Knockouts on the back for wall mount
- ◆ Side and top knockouts for conduit feed applications

HOUSING

- ◆ Durable 20-gauge steel construction
- ◆ Neutral white or black finish



WARRANTY / LISTING

- ◆ Five year warranty on all electronics and housing. Battery pro rated for five years
- ◆ Meets UL924, NFPA 101 Life Safety Code, NEC, OSHA, Local and State Codes
- ◆ Meets City of Chicago requirements
- ◆ UL Listed for damp locations (20°-50°C)

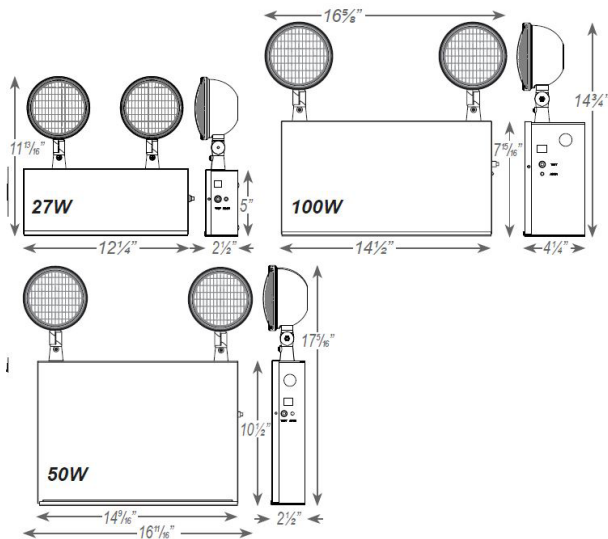
ORDERING DATA

EXAMPLE: MEBCADXR27

MEBCADXR	Voltage		Wattage		Housing Color	
Series	Voltage		Wattage		Housing Color	
MEBCADXR	BLANK	6V*	27	27 Watts	Blank	White
	6	6V**	5	50 Waatts	B	Black
	12	12V**	10	100 Watts		

*Available in 27 watt only
**Not available in 27 watt

DIMENSIONS



Dimensions and specifications subject to change without notice.



◆ 800-444-WATT ◆ www.mobern.com ◆
8200 Stayton Dr., Ste. 500, Jessup, MD 20794

CAT#

JOB NAME

TYPE