

APPLICATIONS

The **MDSH-LED8WP** Series step light is designed with LED lamp permanently installed in the fixture for easier, economical maintenance as of long lasting life of LED lamp.

FEATURES & BENEFITS

- ◆ Illumination is accomplished with long lasting, high output Light Emitting Diodes (LEDs)
- ◆ Cast aluminum housing and trim painted in weather proof white & black or silver.
- ◆ 120V AC input for operation of 1W X 4 LED chips (4W Max.)
- ◆ AC only - Input 120V.
- ◆ UL wet location listing on select units only.
- ◆ 50,000hr of lamp life.
- ◆ cCSA-us Certified



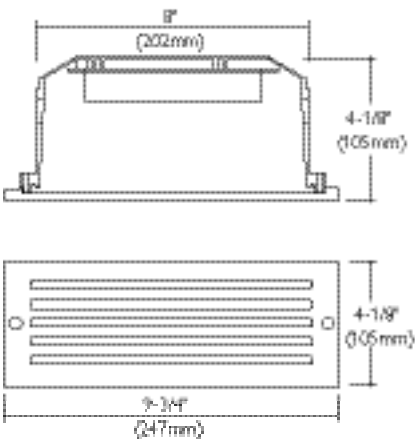
ORDERING DATA

EXAMPLE: MDSHLED8WPMDSST844WH

MDSH-LED8WP

Series	Trims	Finish	Option
MDSHLED8WP LED Step Light	MD-ST844 Louvered MD-ST845 Open MD-ST846 Grill	BK Black SI Silver WH White	HB 24" Hanger Bars

DIMENSIONS



TRIMS



Dimensions and specifications subject to change without notice.