

APPLICATIONS

MDLEDH-S55 is a 5"X5" square aperture housing for accent and provided solid state LED panel with aluminum cast heat sink in concealed reflector for designed cutoff. The electronic driver on junction box can be replaced through below ceiling but designed for long life operation. Long life with 50,000 hours maintain 70% of initial lumens, low energy consumption are major purpose.

FEATURES & BENEFITS

Junction Box

- ◆ Listed for through branch circuit wiring. (Max.8 No 12 AWG 90°C branch circuit conductors.
- ◆ (5)1/2" knockouts with true pry-out slots and (4) knockouts with Romex cable clamp.
- ◆ Ground wire provided on J-box.
- ◆ Provided listed quick connectors for easy snap-in wires. (Optional)

Mounting Channel Bracket

- ◆ Commercial mounting kit provided up to 5" vertical adjustment which accommodates 1/2" EMT conduit, optional HBC-24 bar hanger or lathing channels for T-bar grid or concealed spline ceiling.

Heat Sink

- ◆ Die cast aluminum designed by simulation of heat distribution to reduce LED junction temperature for maintaining constant light output, color and life of solid state components.

Trim

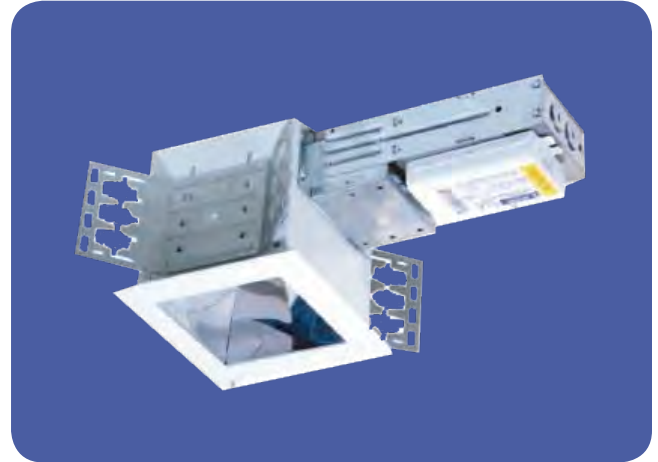
- ◆ See Trim Page for ordering information

Optics

- ◆ Precisely designed Cell-Inner-Reflector directly attached to individual LED source provides precise beam control and reduce glare by its lower recesses. Glass Lens: Textured fine surface of tempered glass providing high lumen transmission and diffusion for even illumination.

Listing

- ◆ ETL &cETL Listed



LED Engine

- ◆ COB(Chip on board) LED package.
- ◆ Heat sink designed by computer simulation and aluminum board for low heat operation.
- ◆ Lumen Maintenance: L70/50, 70% lumens/50,000 hours
- ◆ Electrical Connection: LED lamp module is replaceable via on-board quick disconnect terminal (No tools required).

LED Power Supply Driver

- ◆ Include 120~277V input high efficacy driver with the capability to dim using a Triac 120V low voltage electronic dimmer switch.
- ◆ Driver feature power factor >.90, THD <20% and has integral thermal protection to sense over temperature or internal failure.
- ◆ Driver installed on junction box door for easy access below ceiling.
- ◆ Consult with factory for optional 0~10V analog dimmable driver.

Warranty

- ◆ 50,000hr of LED life

ORDERING DATA

EXAMPLE: MDLEDH-S5514UTD30

MDLEDH-S55

Series	Watts	Driver	Kelvin Temperature
MLEDH-S55	14 14 Watts	UTD Triac Dimming (120-277V)	27 2700K
5" x 5" LED	23 23 Watts	UZTD 0~10V Dimming (120-277V)	30 3000K
Square Aperture	30 30 Watts		40 4000K
			50 5000K

Specifications

LED Quantity	1EA (COB)
Input Voltage	120V~277V AC
Wattage (+/-5%)	14W/23/30W
Lumen (+/-5%)	941/1516/2014
Efficacy(LPW) (+/-5%)	58.6/50.4
Color (+/-5%)	2700K~5000K
CRI (Typical)	80
Beam Angle	72°
Dimming	Triac(Standard)
Lamp Life	50,000hr
Environment	Indoor, Wet

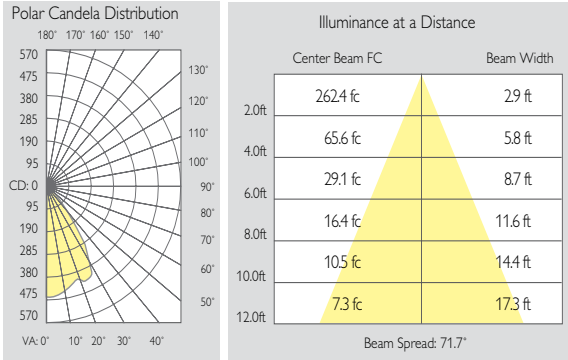
- 120V Triac Approved Dimmers
- * Lutron: NovaT(Ntelv 300 & 600)
Diva (Dvelv-300P & 303P)
 - * Leviton: Acenti: Ate06-1Lw
 - * Leviton: 705W(Incandescent)

* Consult Factory for additional dimmers.

Dimensions and specifications subject to change without notice.

TECHNICAL DATA

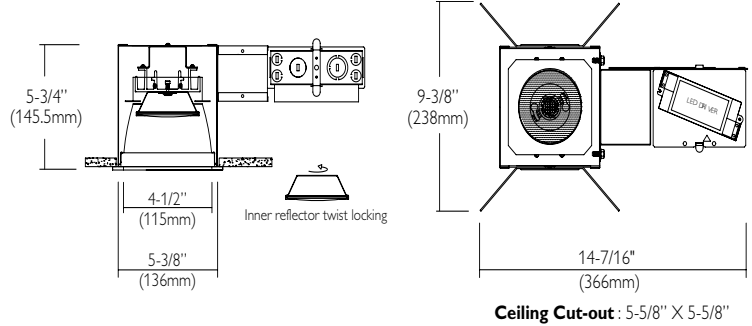
PHOTOMETRIC REPORT



[MDLEDH-S55+LEDQT-529 : 1310 lm]

* Contact Factory for IES File

DIMENSIONS



ORDERING DATA - TRIMS

EXAMPLE: MDLEDQT-529WHAC

Trim	Trim Color	Trim Ring
MDLEDQT-535R	BK Black*	WH White
MDLEDQT-529	CP Champagne	BK Black
MDLEDQT-538	HC Haze Clear	SN Satin Nickel
MDLEDQT-535*	PR Pewter	AN Antique Nickel
	WH White	AC Antique Copper
		MO Mocha
		CA Cappuccino
		CH Chrome
		UN Natural Steel
		PB Polished Brass

Note:

- * MDLEDQT-535 Available only in Black or White trim color.
- * Black trim color is only available in MDLEDQT-535

TRIMS

Trim	Description	5" LED Square
MDLEDQT-535	White Square Trim w/ Flat Frosted Lens Die-cast Aluminum Frame Frame : 6-1/4" SQ.	 MDLEDQT-535-WH
MDLEDQT-535R-HC	Haze Clear Square Die-cast Aluminum Frame Frame : 6-1/4" SQ.	 MDLEDQT-535R-HC-WH
MDLEDQT-529-HC	Haze Clear Square Reflector Die-cast Aluminum Frame Frame : 6-1/4" SQ.	 MDLEDQT-529-HC-WH
MDLEDQT-538-HC	Wall Wash Reflector w/ Flat Frosted Lens Die-cast Aluminum Frame Frame : 6-1/4" SQ.	 MDLEDQT-538-HC-WH

Dimensions and specifications subject to change without notice.