

APPLICATIONS

Architectural grade LED recessed downlight retrofit trim module with clear cone. Designed for use with existing 6" architectural incandescent, fluorescent and metal halide housing. Also, compatible with most 6" architectural housings measuring at least 5 5/8" high with an inside diameter between 6 3/8" and 7 1/4". Provided in high efficacy LED with integral dimmable driver and the optical diffusion produces high lumen transmission and even illumination. Suitable for damp location.

FEATURES & BENEFITS

Reflector

- ◆ Heavy gauge aluminum reflector anodized in clear, haze, gold, champagne and pewter color finish. Reflectors may provide with black and white milled groove baffled collar.

Heat Sink

- ◆ Aluminum extruded heat sink designed to facilitate heat dissipation to reduce LED junction temperature for maintaining constant light output, color and life of solid state components.

Retrofit Mounting

- ◆ Designed for use with most existing 6 3/8" ~ 7 1/4" aperture architectural incandescent, fluorescent and metal halide housings. Supplied with flexible metal conduit for connection to existing electrical junction box. Existing frame-in kits mounting via frictions or clips.

Electrical Connection

- ◆ Attach supply line to existing junction box through one of the knockouts provided in junction box. The existing socket whip and ballast can be set aside above the ceiling or removed completely.

LED Power Supply Driver

- ◆ 120~277V input high efficacy driver with the capability to dim by 1) a Triac 120V low voltage electronic dimmer switches 2) by 0-10V dimmer switches
- ◆ Driver feature power factor >.90, THD <20% and has integral thermal protection to sense over temperature or internal failure
- ◆ Driver mounts externally to the module, allowing future replacement, if needed.
- ◆ Install thermal detectors for 120V or 277V upon customer orders.



Options

- ◆ Emergency battery back-up: Available in mounted to fixture or remote adjacent to luminaire (consult with factory for exact application)

Warranty

- ◆ 50,000hr of lamp life

Listing

- ◆ ETL & cETL Listed
- ◆ State of California Title 24
- ◆ Energy star Approved & Listed

* Provided: Easy-quick connector case (patent pending)



ORDERING DATA

EXAMPLE: MDLEDH-ARFK61430UTDMDLEDTHCWHSN

MDLEDH-
ARFK6

Series	Watts	Kelvin Temperature		Driver	Trim	Reflector Finish		Baffle Finish*		Metal Ring Finish*	
MDLEDH-ARFK6	14	14 Watts	30	3000K	UTD Triac Dimming (120-277V)	MDLEDT R64	HC Haze Clear	WH White	WH White plastic ring (std)	WH White	
	23	23 Watts	35	3500K	UZTD 0~10V Dimming (120-277V) * Option -EM: Emergency battery backup	MDLEDT R614	WH White painted	BK Black			
	30	30 Watts	40	4000K		MDLEDT R641			WMR White Metal Ring		
	45	45 Watts				MDLEDT R622	*Consult factory for custom finishes			SN Satin Nickel	
					MDLEDT R636				CH Chrome		
					MDLEDT R640				SF Polished self-flange		

Specifications

LED Quantity	1EA (COB)
Input Voltage	120V~277V AC
CRI (Typical)	80
Beam Angle	75°
Dimming	Triac(Standard) 0-10V
Lamp Life	50,000hr
Environment	Damp, Wet

Triac Approved Dimmers

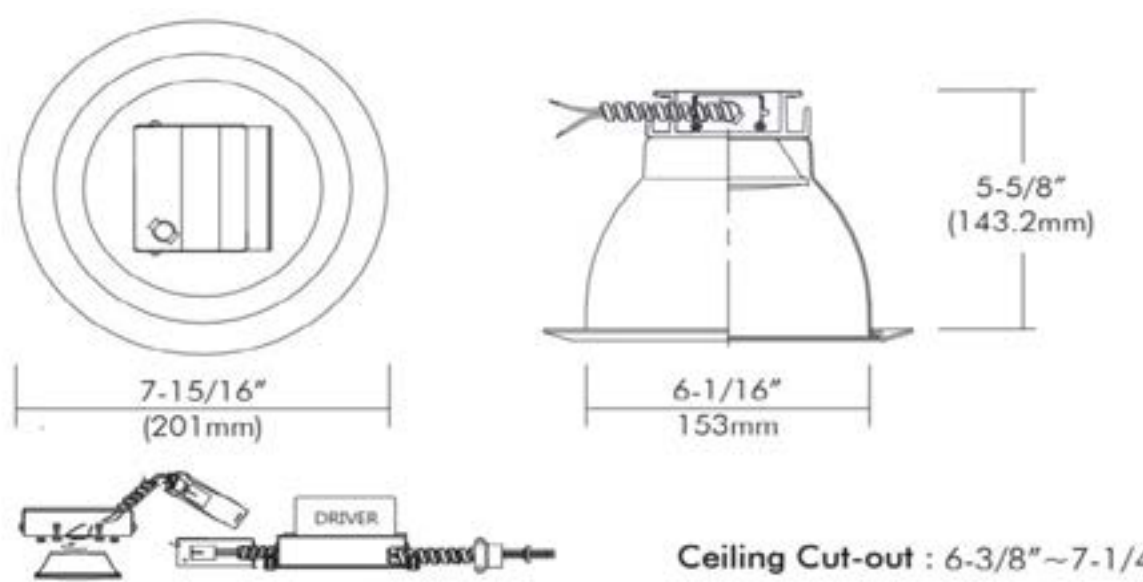
- * Lutron: NovaT(Ntelv 300 & 600) Diva (Dvelv-300P & 303P)
- * Leviton: Acenti: Ate06-1Lw
- * Leviton Trimatron #705W (incandescent)
- * Consult Factory for additional dimmers.

0-10V Approved Dimmers

- * Lutron: Nova@ 0-10V: NTFTV Diva@ 0-10V: DVTV
- * Leviton: Decora 0-10V: IP710DL

Dimensions and specifications subject to change without notice.

TRIM * Wide beam reflector is standard. Also available narrow beam in reflector(consult with factory).



Dimensions and specifications subject to change without notice.

CAT#			
JOB NAME		TYPE	