

### APPLICATIONS

MD6ICALED housing designed for use with a separate LED engine kit that is intergrated with heat sink and trims and compatible 6" LED trims. The This fixture offer easy and fast installation using a disconnect device and held securely in the housing with two pressure springs.

### FEATURES & BENEFITS

#### Housing

- ◆ Single wall aluminum housing gasketed for IC/Air-Tight in insulated ceiling.
- ◆ Housing can be adjustable for ceiling thickness up to 1-1/4"

#### LED Module

- ◆ Durable aluminum extrusion heat sink intergrated with COB(chip on board).
- ◆ Inner reflector provide more light and beam distribution.

#### Lens

- ◆ Impact-resistant plastic.
- ◆ High lumen transmission and diffusing for even illumination.

#### Trims

- ◆ Available with baffle trims in white or black painted and clear or white reflectors

#### Junction Box

- ◆ Listed for through branch circuit wiring.(Max.8 No 12 AWG 90°C branch circuit conductors.)
- ◆ (5)1/2" knockouts with true pry-out slots and (4) knockouts with Romex cable clamp.
- ◆ Ground wire provided on J-box.
- ◆ Provided listed quick connectors for easy snap-in wires. (Optional)

#### Bar Hangers

- ◆ 24" Bar Hangers provide stability and support on joists and T-Bar Grid ceilings.
- ◆ Housing can be positioned at any point within 24" joist span.
- ◆ Score lines allow "toolless" shortening for 12" joists.

#### Listing -ETL Listed.

- ◆ State of california Title 24
- ◆ Energy star qualified.
- ◆ Trims are ETL listed for wet location with regressed lens provided.



#### LED Engine

- ◆ Heat sink designed by computer simulation and aluminum board for low heat operation.
- ◆ Lumen Maintenance: L70/50, 70% lumens/50,000 hours

#### LED POWER SUPPLY

- ◆ 10-100% dimmable for 120V electronic low voltage dimmer switches.
- ◆ Driver feature power factor >.90, THD <20% and has integral Thermal protection to sense over temperature or internal failure.
- ◆ Driver mounts externally to the module, allowing future replacement, if needed.

#### Warranty

- ◆ 50,000hr of LED life.

### ORDERING DATA

EXAMPLE: MD6ICALED DMV40MDT65HC

MD6ICA	LED	DMV			
<b>Series</b>	<b>Gear</b>	<b>Driver Type</b>	<b>Kelvin Temperature</b>	<b>Reflector Finish</b>	<b>Optional Metal Trim Ring Finish</b>
<b>MD6ICA</b>	<b>LED</b>	<b>DMV</b> Triac Dimming 120 - 277	<b>30</b> 3000K <b>40</b> 4000K	<b>See Trims Page</b>	<b>Blank</b> White Plastic (Std) <b>WH</b> White <b>SN</b> Satin Nickel <b>CH</b> Chrome <b>SF</b> Self Flange
LED Downlight					

SPECIFICATION	
LED Quantity	1EA (COB)
Input Voltage	120V~277V AC
Wattage (+/-5%)	13.8W
Lumen (+/-5%)	733.5 lm
Efficacy(LPW)	53.1 lm/W
Color (+/-5%)	2700K~5000K
CRI (Typical)	80
Beam Angle	74.9 Degree
Dimming	Triac
Lamp Life	50,000hr
Environment	Indoor, Vwet

120V Approved Dimmers
* Lutron: NovaT(Ntelv300&600) Diva (Dvelv-300P&303P)
* Leviton: Acenti: Ate06-1Lw
* Leviton Trimatron #705W(incandescent)
Consult tech. service or factory for additional dimmers

Dimensions and specifications subject to change without notice.

**TRIMS**

LEDT-65

Reflector  
haze clear reflector (-HC)  
white painted reflector (-WH)  
champagne reflector (-CP)  
O.D : 7-1/16" (192mm)



LEDT-65-HC

LEDT-65-WH

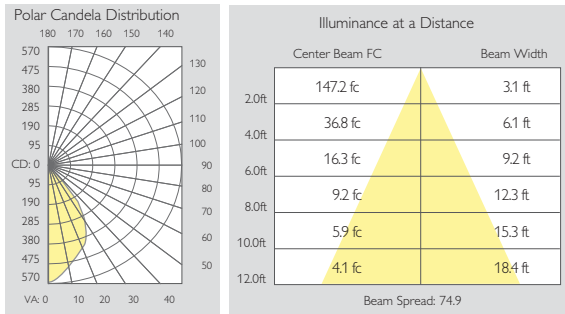
LEDT-62

Baffle  
white baffle (-WH)  
black baffle (-BK)  
O.D : 7-1/16" (192mm)



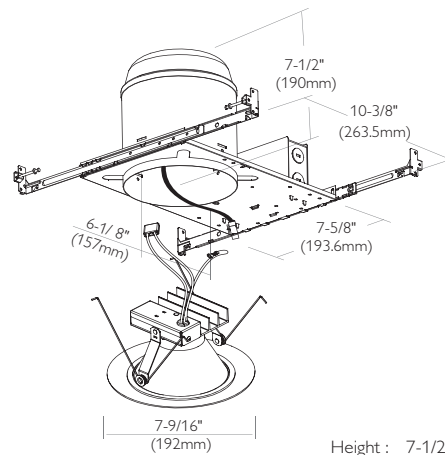
LEDT-62-WH

**PHOTOMETRIC REPORT** \* Contact Factory for IES File



[LEDT-65]

**DIMENSIONS**



Height : 7-1/2"  
Housing Aperture : 6-1/8"  
Ceiling Cut-out : 6-1/2"



Dimensions and specifications subject to change without notice.