

APPLICATIONS

MD6ICALED housing designed for use with a separate LED engine kit that is intergrated with heat sink and trims and compatible 6" LED trims. The This fixture offer easy and fast installation using a disconnect device and held securely in the housing with two pressure springs.

FEATURES & BENEFITS

Housing

- ◆ Single wall aluminum housing gasketed for IC/Air-Tight in insulated ceiling.
- ◆ Housing can be adjustable for ceiling thickness up to 1-1/4"

LED Module

- ◆ Durable aluminum extrusion heat sink intergrated with COB(chip on board).
- ◆ Inner reflector provide more light and beam distribution.

Lens

- ◆ Impact-resistant plastic.
- ◆ High lumen transmission and diffusing for even illumination.

Trims

- ◆ Available with baffle trims in white or black painted and clear or white reflectors

Junction Box

- ◆ Listed for through branch circuit wiring.(Max.8 No 12 AWG 90°C branch circuit conductors.)
- ◆ (5)1/2" knockouts with true pry-out slots and (4) knockouts with Romex cable clamp.
- ◆ Ground wire provided on J-box.
- ◆ Provided listed quick connectors for easy snap-in wires. (Optional)

Bar Hangers

- ◆ 24" Bar Hangers provide stability and support on joists and T-Bar Grid ceilings.
- ◆ Housing can be positioned at any point within 24" joist span.
- ◆ Score lines allow "toolless" shortening for 12" joists.

Listing -ETL Listed.

- ◆ State of california Title 24
- ◆ Energy star qualified.
- ◆ Trims are ETL listed for wet location with regressed lens provided.



LED Engine

- ◆ Heat sink designed by computer simulation and aluminum board for low heat operation.
- ◆ Lumen Maintenance: L70/50, 70% lumens/50,000 hours

LED POWER SUPPLY

- ◆ 10-100% dimmable for 120V electronic low voltage dimmer switches.
- ◆ Driver feature power factor >.90, THD <20% and has integral Thermal protection to sense over temperature or internal failure.
- ◆ Driver mounts externally to the module, allowing future replacement, if needed.

Warranty

- ◆ 50,000hr of LED life.

ORDERING DATA

EXAMPLE: MD6ICALED DMV40MDT65HC

MD6ICA	LED	DMV			
Series	Gear	Driver Type	Kelvin Temperature	Reflector Finish	Optional Metal Trim Ring Finish
MD6ICA	LED	DMV Triac Dimming 120 - 277	30 3000K 40 4000K	See Trims Page	Blank White Plastic (Std) WH White SN Satin Nickel CH Chrome SF Self Flange
LED Downlight					

SPECIFICATION	
LED Quantity	1EA (COB)
Input Voltage	120V~277V AC
Wattage (+/-5%)	13.8W
Lumen (+/-5%)	733.5 lm
Efficacy(LPW)	53.1 lm/W
Color (+/-5%)	2700K~5000K
CRI (Typical)	80
Beam Angle	74.9 Degree
Dimming	Triac
Lamp Life	50,000hr
Environment	Indoor, Vwet

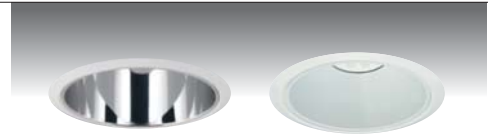
120V Approved Dimmers
* Lutron: NovaT(Ntelv300&600) Diva (Dvelv-300P&303P)
* Leviton: Acenti: Ate06-1Lw
* Leviton Trimatron #705W(incandescent)
Consult tech. service or factory for additional dimmers

Dimensions and specifications subject to change without notice.

CAT#	
JOB NAME	
TYPE	

TRIMS

LEDT-65
Reflector
haze clear reflector (-HC)
white painted reflector (-WH)
champagne reflector (-CP)
O.D : 7-1/16" (192mm)



LEDT-65-HC

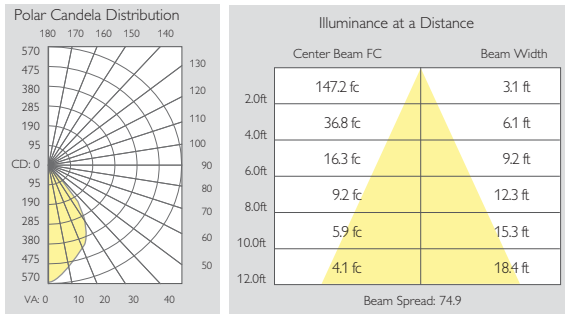
LEDT-65-WH

LEDT-62
Baffle
white baffle (-WH)
black baffle (-BK)
O.D : 7-1/16" (192mm)



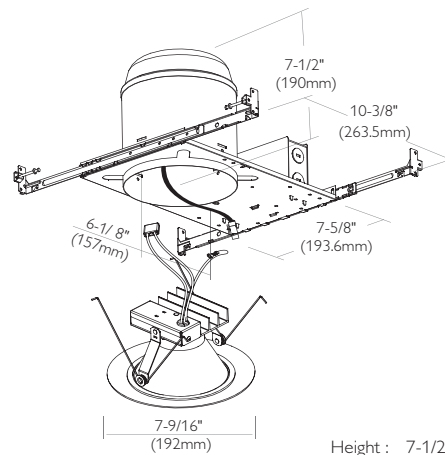
LEDT-62-WH

PHOTOMETRIC REPORT * Contact Factory for IES File



[LEDT-65]

DIMENSIONS



Height : 7-1/2"
Housing Aperture : 6-1/8"
Ceiling Cut-out : 6-1/2"



Dimensions and specifications subject to change without notice.