

APPLICATIONS

ENERGY STAR® qualified, this fixture is perfect for a wide range of applications. Ideal for light commercial and residential buildings requiring general illumination.

FEATURES & BENEFITS

- ◆ ENERGY STAR® qualified
- ◆ Dusk to dawn photocell for automatic ON/OFF (optional)
- ◆ Ambient operating temperature -40°C (-40°F) to +40°C (105°F)
- ◆ L₇₀ < 50,000 hrs.
- ◆ Powder coated aluminum base
- ◆ Polycarbonate lens
- ◆ Molded of durable non-corrosive UV resistant resins
- ◆ Wall or ceiling mount
- ◆ cUL_{US} Listed for wet location
- ◆ Made in USA



MCERC



MCER



MCERG

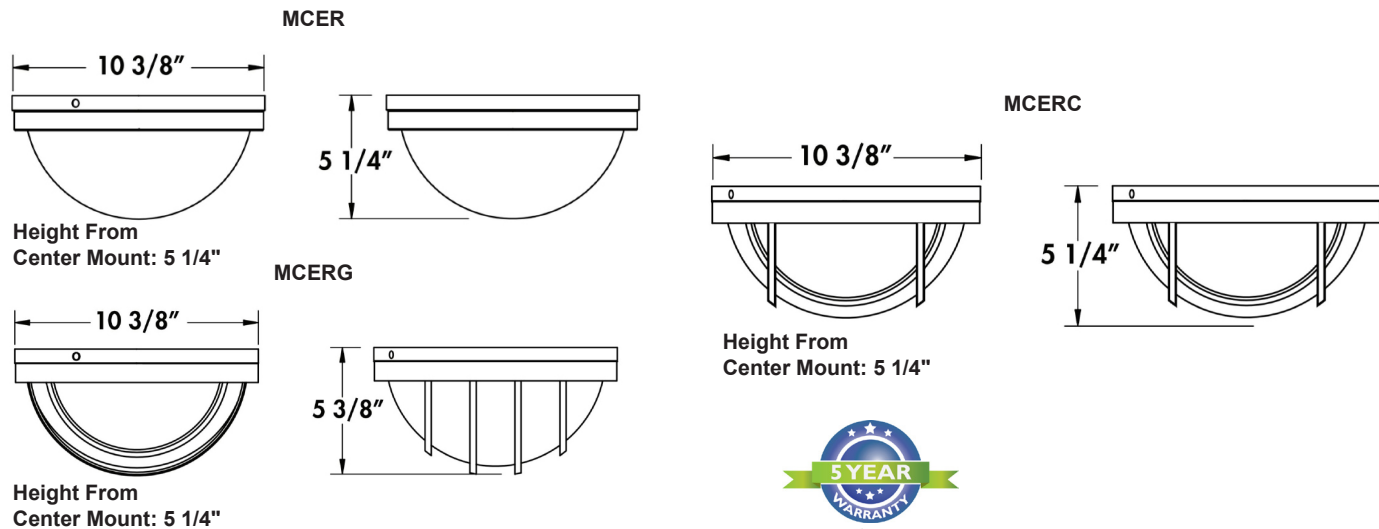
ORDERING DATA

EXAMPLE: MCERLED13D120BKF30

LED		Wattage/Lumens		Driver		Finish		Lens		Color Temp		Options	
Series	Gear												
MCER Round	LED	13	13 Watts 1000 Lumens	D120	120V Triac Dimmable	BK	Black	F	Frosted	30	3000K	PC	Photocell
MCERG Grill		14	14 Watts 1400 Lumens			WH	White			40	4000K		
MCERC Grid		22	22 Watts 1824 Lumens*	MV	120-277VAC** Multivolt								
		23	23 Watts 1900 Lumens										

*Only available w/ MV and 4000K **Only available w/ 22 Watts and 4000K

DIMENSIONS



Dimensions and specifications subject to change without notice.

