

APPLICATIONS

ENERGY STAR® qualified, this fixture is perfect for a wide range of applications. Ideal for light commercial and residential buildings requiring general illumination.

FEATURES & BENEFITS

- ◆ ENERGY STAR® qualified
- ◆ Dusk to dawn photocell for automatic ON/OFF (optional)
- ◆ Ambient operating temperature -40°C (-40°F) to +40°C (105°F)
- ◆ L₇₀ > 50,000 hrs.
- ◆ Powder coated aluminum base
- ◆ Molded of durable non-corrosive UV resistant resins
- ◆ Wall mount only
- ◆ ^CUL_{US} Listed for wet location
- ◆ Made in USA



MCEO



MCEOC



MCEOG



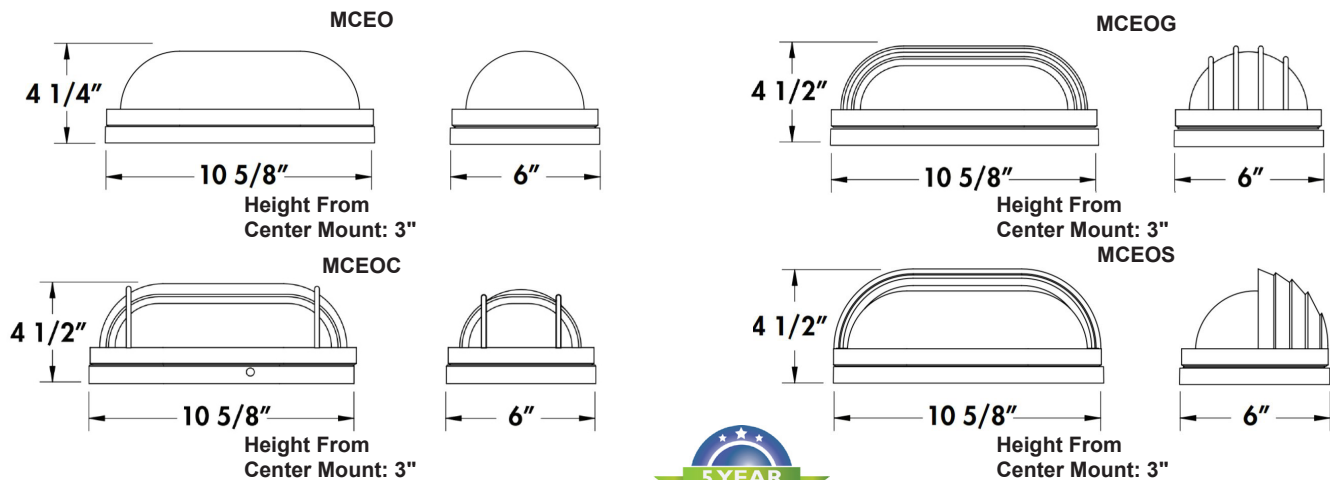
MCEOS

ORDERING DATA

EXAMPLE: MCEOLED13D120BKF30

LED										
Series	Gear	Wattage/Lumens		Driver		Finish	Lens	Color Temp	Options	
MCEO Oval	LED	11	11 Watts 912 Lumens*	D120	120V Triac Dimmable	BK Black	F Frosted	30	3000K	PC Photocell
MCEOG Grill		13	13 Watts 1000 Lumens	MV	120-277VAC** Multivolt	WH White		40	4000K	
MCEOS Hood		*Only available w/ MV and 4000K		**Only available w/ 11 Watts and 4000K						
MCEOC Grid										

DIMENSIONS



Dimensions and specifications subject to change without notice.

800-444-WATT ♦ www.mobern.com ♦

Stayton Dr., Ste. 500, Jessup, MD 20794 8200

#CAT

JOB NAME

TYPE