

### APPLICATIONS

This fixture is perfect for coastal and marine environments. Ideal for light commercial, multifamily, and residential buildings requiring general illumination.

### FEATURES & BENEFITS

- ◆ Dusk to dawn photocell for automatic ON/OFF (optional)
- ◆ Corrosion and scratch resistant
- ◆ Available in black or white finish
- ◆ UV resistant resin body with aluminum base
- ◆ <sup>c</sup>UL<sub>US</sub> Listed for wet locations



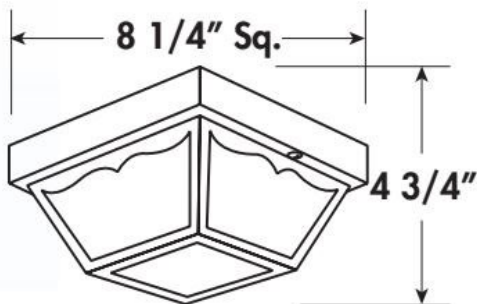
8.25" Century

### ORDERING DATA

EXAMPLE: MCBP113GUBKFL

Series	Lamping	Ballast	Finish	Lens	Lamp	Option
<b>MCBP</b>	<b>113</b> 1-13W GU24 <b>118</b> 1-18W GU24 <b>123</b> 1-23W GU24 <b>126</b> 1-26W GU24	<b>GU</b> 120V Electronic	<b>BK</b> Black <b>WH</b> White	<b>F</b> Frosted Polypropylene <b>G</b> Clear Glass	<b>Blank</b> No Lamp <b>L</b> Lamp included (2700K)	<b>PC</b> Photocell

### DIMENSIONS



Dimensions and specifications subject to change without notice.

