

**APPLICATIONS**

Energy Star® qualified, this fixture is perfect for coastal and marine environments. Ideal for light commercial and residential buildings general outdoor illumination.

**FEATURES & BENEFITS**

- ◆ Energy Star® qualified
- ◆ Dusk to dawn photocell for automatic ON/OFF
- ◆ Photocell swivel hood eliminates strobing
- ◆ Corrosion and scratch resistant
- ◆ Easy relamping
- ◆ Acrylic lens
- ◆ Polycarbonate body
- ◆ UV resistant
- ◆ UL Listed for wet locations



**HARBOR**

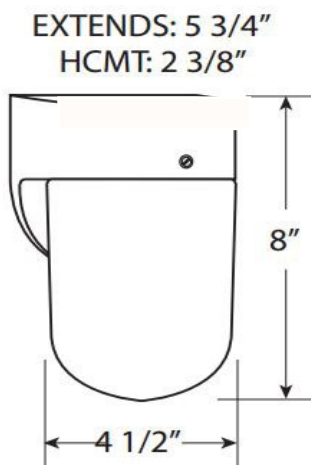
**SPECIFICATIONS**

Body is molded of polycarbonate and lens is molded of acrylic. Optional integral photocell with swivel hood eliminates strobing. This fixture uses a high efficacy electronic ballast with end of lamp life protections. Screw neck lens provides easy access to lamp for easy relamping. Listed by and bears UL Label.

**ORDERING DATA**

**EXAMPLE: MBPW118GUWSJLPC**

Series	Lamping	Ballast Type	Diffuser	Lamp	Option
<b>MBPW</b> (Black)	<b>118</b> 1-18W GU24	<b>GU</b> 120V Electronic	<b>WSJ</b> White Small Jar	<b>Blank</b> No lamp	<b>PC</b> Photocell
<b>MWPW</b> (White)	<b>118</b> 1-18W Quad 4 pin	<b>E120</b> 120V Electronic	<b>CPJ</b> Clear prismatic jar	<b>L</b> Lamp included (2700K)	
	<b>123</b> 1-23W GU24				



Item Number	Dimensions (LxWxH)	Lamping
MBPW118WSJE120	4.5" x 5.75" x 8"	I-18W Quad 4 Pin
MBPW123GUWSJ	4.5" x 5.75" x 8"	I-23W GU24
MBPW123GUWPJ	4.5" x 5.75" x 8"	I-23W GU24

Consult for lower wattage/lumen LED option. \*Energy Star Rated



Dimensions and specifications subject to change without notice.

◆ 800-444-WATT ◆ www.mobern.com ◆  
8200 Stayton Dr., Ste. 500, Jessup, MD 20794

CAT#			
JOB NAME		TYPE	