

**APPLICATIONS**

This fixture is perfect for a wide range of applications. Ideal for light commercial, multifamily, and residential buildings requiring general illumination.

**FEATURES & BENEFITS**

- ◆ Dusk to dawn photocell for automatic ON/OFF
- ◆ Corrosion and scratch resistant
- ◆ Available in black or white finish
- ◆ UV resistant resin body with aluminum base
- ◆ <sup>c</sup>UL<sub>us</sub> Listed for wet locations

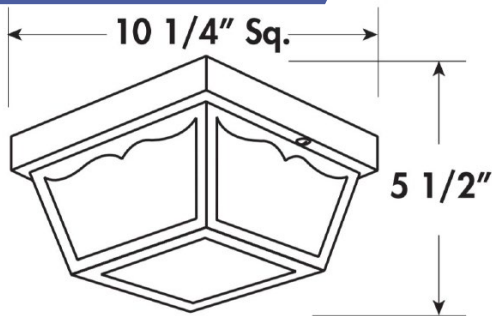


**ORDERING DATA**

**EXAMPLE: MBBP 113GUBKFLPC**

MBBP		GU		Finish		Lens		Lamp		Options	
Series	Lamping	Ballast	Finish	Lens	Lamp	Options					
<b>MBBP</b>	<b>113</b> 1-13W GU 24 <b>213</b> 2-13W GU 24 <b>118</b> 1-18W GU 24 <b>218</b> 2-18W GU 24 <b>123</b> 1-23W GU 24 <b>223</b> 2-23W GU 24 <b>126</b> 1-26W GU 24	<b>GU</b> 120V Electronic	<b>BK</b> Black <b>WH</b> White	<b>F</b> Frosted Polypropylene <b>G</b> Clear Glass	<b>Blank</b> No Lamp <b>L</b> Lamp included (2700K)	<b>PC</b> Photocell					

**DIMENSIONS**



Dimensions and specifications subject to change without notice.



◆ 800-444-WATT ◆ www.mobern.com ◆  
8200 Stayton Dr., Ste. 500, Jessup, MD 20794

#CAT		
JOB NAME		TYPE