

### APPLICATIONS

The MAFCO LED is an energy conserving powerful wall pack. Pro-environment, Green, Long life LED lighting fixture. Adapting the most dependable CREE LED Light source. This wall pack has a cast aluminum heat sync to ensure long life of the LED source. The MAFCO is ideal for security, accent and perimeter lighting. Applications include parking lots, garages, and commercial buildings.

### FEATURES & BENEFITS

- ◆ Solid construction die-cast aluminum body
- ◆ UV stabilized powder coated finish
- ◆ Front hinged door frame lens
- ◆ Bronze finish
- ◆ Min CRI 70
- ◆ <sup>c</sup>UL<sub>US</sub> listed for wet locations



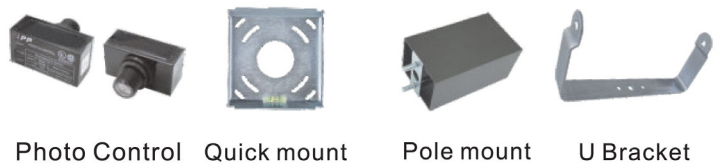
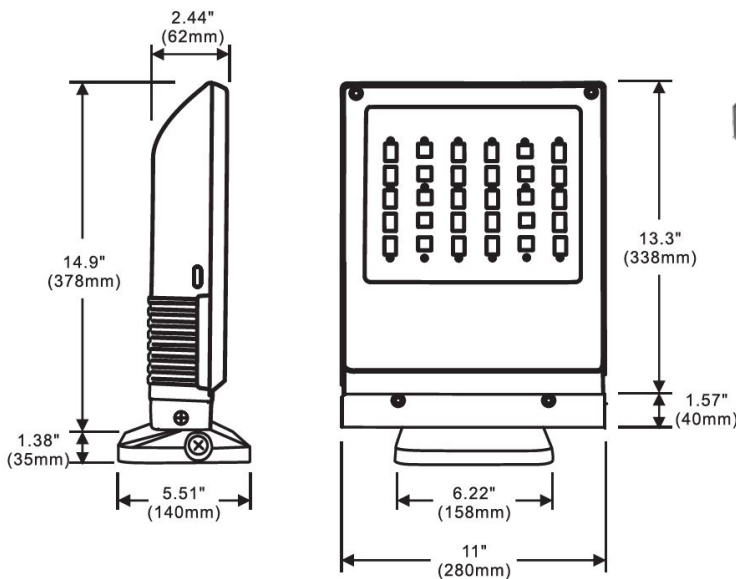
59W  
Replaces  
Up to 200W MH

### ORDERING DATA

EXAMPLE: MAFCOLED59MV50

MAFCO	LED	59	MV	50	
Series	Gear	Wattage/Lumens	Driver	Color Temp	Options
<b>MAFCO</b> LED Wall Pack	<b>LED</b>	<b>59</b> 59 Watts 5955 Lumens	<b>MV</b> 120-277VAC Multivolt	<b>50</b> 5000K	<b>PC</b> Photocell <b>PM</b> Pole Mount <b>U</b> U Bracket <b>WM</b> Wall Mount

### DIMENSIONS



Dimensions and specifications subject to change without notice.



◆ 800-444-WATT ◆ www.mobern.com ◆  
8200 Stayton Dr., Ste. 500, Jessup, MD 20794

CAT#	
JOB NAME	
TYPE	