

APPLICATIONS

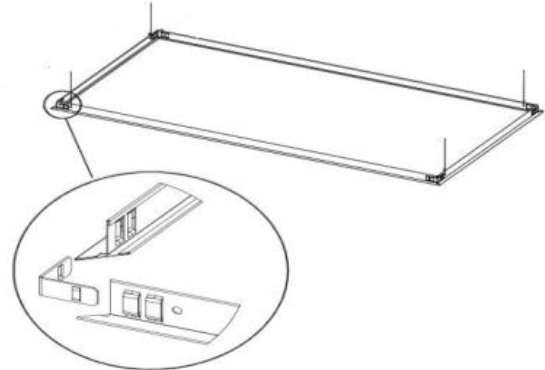
Allows standard troffers, recessed indirect/direct or parabolics to be mounted in plaster or wood ceilings.

SIZE: W x L x H (in inches)

- 1x4 - Ceiling opening is 12.25" x 48.25"
- 2x2 - Ceiling opening is 24.25" x 24.25"
- 2x2 - Ceiling opening is 24.25" x 48.25"

FEATURES & SPECIFICATIONS

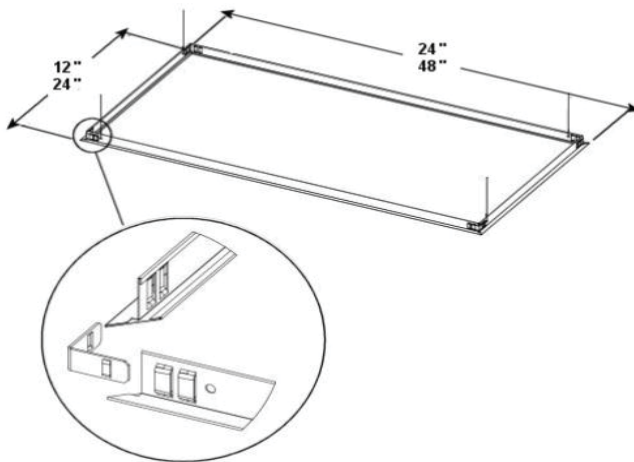
- ◆ **Construction**
Die-formed and embossed code 22 gauge steel. No tools required
- ◆ **Mounting**
Recessed inverted T-bar ceilings. Grid mount.
- ◆ **Finish**
Fixture & Ballast: UL Listed
Ballst: Thermally protected, class P, HPF, Non PCB



ORDERING DATA

EXAMPLE: M565A12

M565A		X
Series	Length (ft)	Width (ft)
M565A Recessed Frame-in Kit	1 2	2 4



INSTALLATION

1. Slide (Snap-Lock) corner angles into side and end / Intermediate rails as shown.
2. Place assembled frame into ceiling opening and wire support (at four corners as shown) from main floor/ceiling structure.

WARNING: ELECTRICAL SHOCK POTENTIAL!! Do not attempt to install, maintain or relamp without disconnecting all power. Failure to disconnect power can result in electrocution, shock or severe burns.

M565A is designed to be used with any grid type recessed luminaire requiring flanges. May be nailed to framing for purpose of trimming out the ceiling opening-not to be used for support of luminaire. If this method of installing M565A is used, luminaire must be supported by #12 gauge mild steel wire by others.

Dimensions and specifications subject to change without notice.