

APPLICATIONS

Contemporary styled, rugged construction, vandal resistant ceiling or wall mount fixtures are suitable for both indoor and outdoor. Ideal for use in educational facilities, harsh environments such as coastal areas, hospitals, walkways, parking structures, office facilities, interiors, exteriors and common areas. Single or multi-unit family dwellings and any application where vandal resistant luminaires are required.

FEATURES & BENEFITS

- ◆ **P³ Technology - Post Powder Painted** - Reflector Plate
- ◆ > 90% reflectivity
- ◆ Corrosion and scratch resistant
- ◆ Smooth edges for easy handling
- ◆ Stainless steel screws are standard, tamperproof screws available as an option
- ◆ Extruded rubber lens gasket
- ◆ Pre-lamped 2700K warm white (GU) - other colors available
- ◆ Optional foam housing gasket
- ◆ Two or three lamp standard (GU)
- ◆ Drill points on housing to accept conduit and hubs
- ◆ Combination ribbed and prismatic injection molded lens
- ◆ Housings are available in black or white polycarbonate
- ◆ Lenses are available in clear prismatic, frosted prismatic and white polycarbonate
- ◆ **New Solar/DC options**
 - 12V or 24V option
 - Circline T6 32W lamp included
 - Perfect for direct wire solar applications
- ◆ ADA compliant below 4" projection off wall
- ◆ Suitable for wet locations, **UL** listing pending
- ◆ **UL** listed for damp location



SPECIFICATIONS

Mobern's **HAL** series product line elevates the design aesthetic of outdoor polycarbonate vandal proof enclosures to a new level of refinement and performance. With an architectural shaped and sculpted design, the **HAL** series allows luminary designers to produce an indoor/outdoor weather proof fixture with excellent performance and structural characteristics. Specification grade gasketed housings are available in black or white finishes; lenses are available in a choice of white, clear prismatic or frosted prismatic finishes. Housings are provided with conduit drill points and made to accept both conduit and associated hubs. The **HAL** series is available in round shape designs and available in various GU based CFL wattages ranging from 9, 13, 18 and 23 watts or a circline lamp, 32 watts or 58 watts. Listed by and bears **UL** label.

ORDERING DATA

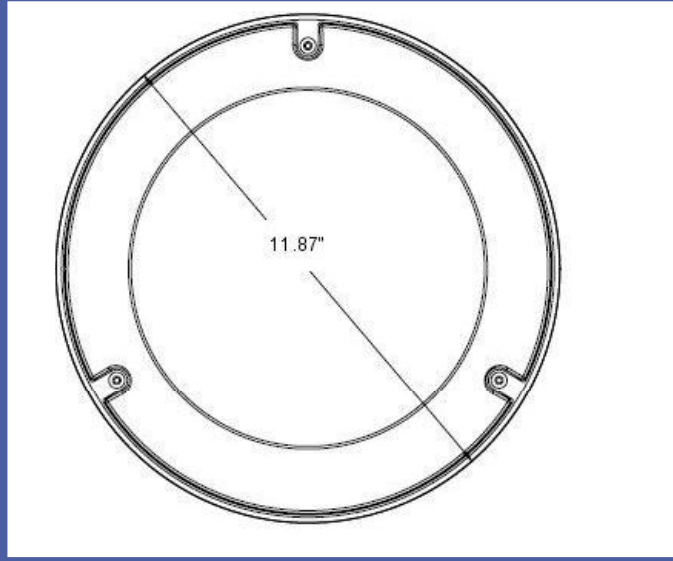
EXAMPLE: HAL 12 PC 1 32 ELCB 24

Series		Size		Lens Type		# of Lamps		Lamp Size			Ballast Type		Voltage		Housing Type		
HAL		12	12"	PC	Clear acrylic prismatic polycarbonate	1	1 Lamp	09	GU 120V	9W	ELGU	Integrated electronic GU base (spiral)		Blank	120 Volt	W	White
				PF	Frosted prismatic polycarbonate	2	2 Lamp	13	GU 120V	13W	ELC	Electronic circline		12V	12V DC	B	Black
				PN	White prismatic polycarbonate	3	3 Lamp (GU only)	18	GU 120V	18W				24V	24V DC		
								23	GU 120V	23W							
								32	T6 Circline	32W							
										120V							
										12V							
										24V							

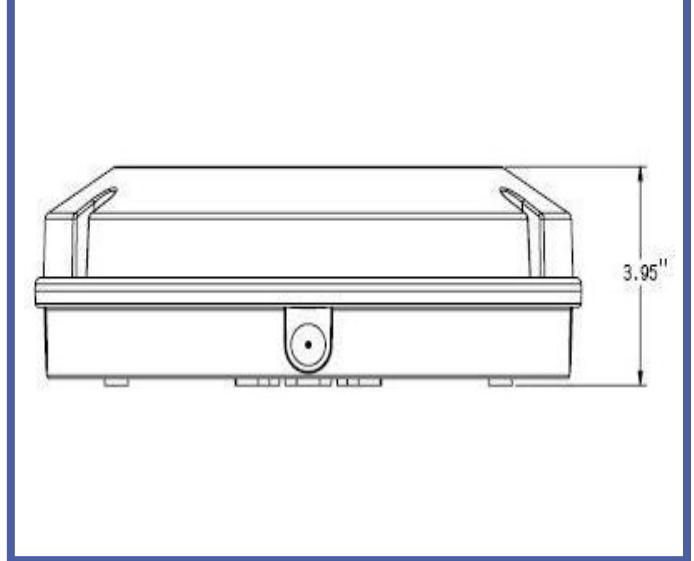
Dimensions and specifications subject to change without notice.

DIMENSIONS

TOP VIEW



SIDE VIEW



Dimensions and specifications subject to change without notice.