

APPLICATIONS

ENERGY STAR® qualified, this fixture is perfect for coastal and marine environments. Ideal for light commercial and residential buildings general outdoor illumination.

FEATURES & BENEFITS

- ◆ ENERGY STAR® qualified
- ◆ Dusk to dawn photocell for automatic ON/OFF
- ◆ Photocell swivel hood eliminates strobing
- ◆ Corrosion and scratch resistant
- ◆ Available in multiple colors
- ◆ 13 watt compact fluorescent lamp
- ◆ Easy relamping
- ◆ Acrylic lens
- ◆ Polycarbonate body
- ◆ UV resistant
- ◆ UL Listed for wet locations



POCKET GLOBE

APPLICATIONS

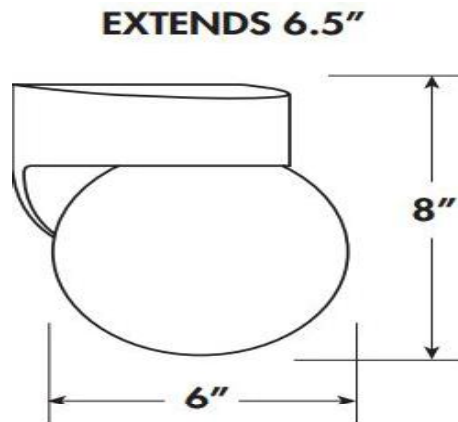
Body is molded of polypropylene and lens is molded of acrylic. Integral photocell with swivel hood eliminates strobing. This fixture uses a high efficacy electronic ballast with end of lamp life protection. Screw neck lens provides easy access to lamp for easy relamping Listed by and bears UL label.

ORDERING DATA

EXAMPLE: ESF 3716 P W W I

Series	Fixture Information	Option	Housing Type	Diffuser Type	Packaging Type
ESF					
ESF	3716 120 Volt Electronic Ballast 1-CFQ13W Lamp	E No Protocol P Photocell	B Black W White	W Frosted	I Individually boxed

DIMENSIONS



.Dimensions and specifications subject to change without notice