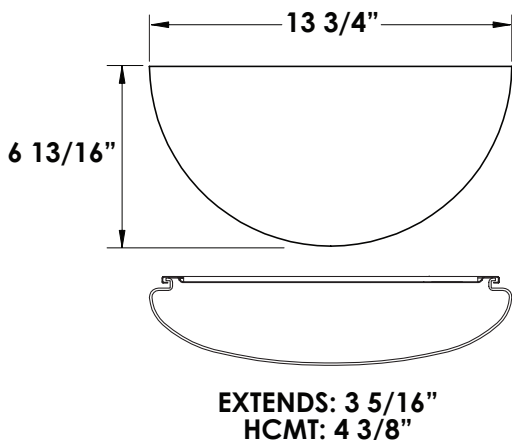


SPECIFICATIONS

- 120-277V INPUT VOLTAGE, 50/60Hz
- 8 CREE LED ARRAY (18W)
- 1704 LUMENS
- 77 LPW/**
- 3000 KELVIN
- 80 CRI (TYP)
- CONSTANT CURRENT AT 700 mA
- DRIVER UL CLASS 2, POWER FACTOR > .90
- AMBIENT OPERATING TEMPERATURE -40°C (-40°F) TO +40°C (105°F)
- ESTIMATED 50,000 HRS L_{70} *
- THERMALLY PROTECTED LED ARRAY
- WHITE POWDERCOATED ALUMINUM BASE AND ACRYLIC DIFFUSER
- UL/CUL LISTED FOR DAMP LOCATION



DECPHM



DECPHM	LED	WH	WH	18	MV	30	
Series	Gear	Fixture	Lens	Wattage	Voltage	Kelvin	Options
DECPHM	LED	WH = White	WH = White	18 = 18 Watts	MV = 120-277V	30 = 3000K	○ = Occupancy Sensor

HMO LED REPLACEMENT PARTS
18LR8L = 8 CREE LED ARRAY
IG1800-DMV-1 = LED DRIVER

* DATA PER LM79/LM80/TM21 AVAILABLE UPON REQUEST
** ESTIMATED FROM LED SOURCE