

LED Surface Mounts for Bright, General Illumination From A Small, Sleek Style. Indoor or Outdoor with 75% Energy Savings and Lasts 40 Times Longer.

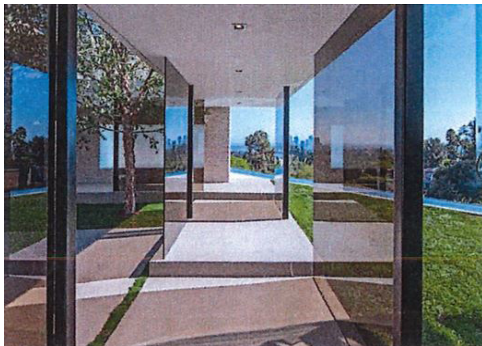
Finally, a fresh, modern approach to the old fashioned close-to-ceiling surface mount lights ideal for circulation spaces, living spaces and wet locations. This contemporary Micro LED Close-to-Ceiling fixture with a matte white body and a translucent white acrylic diffuser mounts simply to a standard 4 inch J-box and is less than 2" deep in a crisp, flat edged style that provides a sophisticated look. Rethinking Lighting in the LED Revolution allows a large amount of light for general illumination from small unobtrusive sizes that will beautifully blend into every application, indoor or outdoors. A warm, modern white 3000K color temperature is under 15 watts and illuminates like the output of 50W Par 20 and 75W BR30. Retrofit to an existing recessed 4" or 6" white can with a simple recessed accessory.

These Micro LED Close-to-Ceiling fixtures are a particularly good solution in wet location applications where normally a much larger and usually simple utilitarian look is used like in outdoor breezeways and shower/bathroom applications. They are also stylish substitutes for recessed downlights especially where ceiling obstructions or codes make a surface mount a good solution. It is ideal for applications that require expensive fire rated boxes for recessed fixtures since these mount simply to a surface mounted junction box.



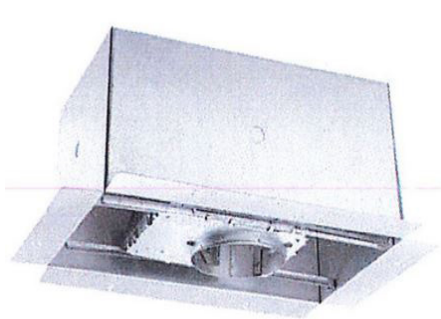
Ideal Applications

Outdoor Breezeways



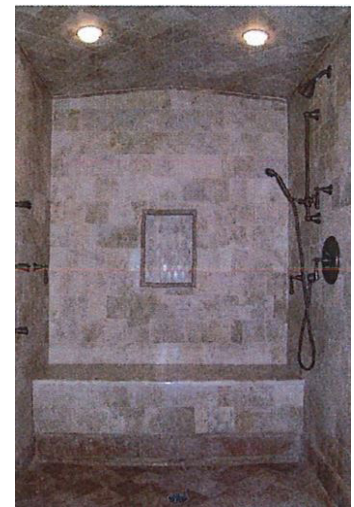
Since the CTC Series are wet location rated and less than 15 watt, they are ideal for long, outdoor breezeways.

Replace Expensive Downlights



Fire Rated Recessed Housing
Avoid expensive Fire Rated Recessed housing by using the CTC series in a standard 4" Junction box with bright, comfortable lighting at budget pricing.

Showers / Wet Locations



Add less than 15 watts to your shower or tub but lots of light that will make a difference in how good you look

Dimensions and specifications subject to change without notice.



◆ 800-444-WATT ◆ www.mobern.com ◆

8200 Stayton Dr., Ste. 500, Jessup, MD 20794

CAT#			
JOB NAME		TYPE	

FEATURES & BENEFITS

Mounting

Surface mounts to standard 4 inch junction-box with two screws. Mounts to most 4" and 6" white cans with a recessed accessory kit.

LED Engine

CTCM4 - 1 LED, 875 Lumens, 3000K 12 Watts
CTCM6 - 36 LEDs, 1095 Lumens, 3000K 15 Watts

Dimming

CTC Series dims to 10% with standard dimmers.*
*Triac Based (forward phase control or leading edge dimmers).
Note: Specifications subject to change without notice.

Listing

ETL Wet location

Warranty

5 Year Limited warranty



SPECIFICATIONS

Heavy gauge metal housing powder coated white houses 120V LED array and 20W driver. Driver is dimmable with standard incandescent dimmers.* LED are comfortably diffused with translucent white opal acrylic diffuser to provide a glare free light.

ORDERING DATA

EXAMPLE: CTCM4LED12D1203WH

Item No.	Description	Dimensions
CTCM4LED12D12030 (WH, BN or BZ)	Micro LED CTC 4" (5.9" OD) (White, Brushed Nickel or Bronze), 12W 876 Lumens, CRI ≥ 80, 3000K, 120V with dimmable driver. Surface mount	5.9"OD X 1.20"H
CTCM6LED15D12030 (WH, BN or BZ)	Micro LED CTC 6" (7.4" OD) (White, Brushed Nickel or Bronze), 15W 1095 Lumens, CRI ≥ 80, 3000K, 120V with dimmable driver. Surface Mount	7.4"OD X 1.26"H
CTCM9LED26D12030WH (or BZ)	Micro LED CTC 9" (9.5" OD) White (or Bronze) 26W 2020 Lumens, CRI ≥ 80, 3000K, 120V with dimmable driver. Surface Mount	9.5" OD x 1.4"H
CTCM6LED15D12030WHEM	Micro LED CTC 6" (7.4" OD) White, 15W 1095 Lumens, 3000K, 120V Triac dimmable EM w/ Junction Box	7.4"OD X 1.26"H
CTCM6LED1527730WH	Micro LED CTC 6" (7.4" OD) White, 15W 1095 Lumens, 3000K, 277V, Surface Mount	7.4"OD X 1.26"H
CTCM11LED28D12030 (WH or BN)	Micro LED CTC 11" (White or Brushed Nickel), 28W 1700 Lumens, CRI ≥ 90, 3000K, 120V with dimmable driver. Surface mount	11.5"OD X 1.4"H
CTCM15LED40D12030 (WH or BN)	Micro LED CTC 15" (White or Brushed Nickel), 40W 2500 Lumens, CRI ≥ 90, 3000K, 120V with dimmable driver. Surface mount	15.5"OD X 1.4"H

ACCESSORIES

CTCM4REACC- Recessed accessory kit to retrofit CTC4L Series into 4" recessed white can housings

CTCM6REACC- Recessed accessory kit to retrofit CTC6L Series into 6" recessed white can housings

Recessed Accessory Kit

Order separately a Recessed Accessory Kit to easily adapt the CTC series to 4" and 6" white cans. Save over 75% energy from incandescent equivalent fixtures and lasts 40 times longer.



4" Accessory Kit

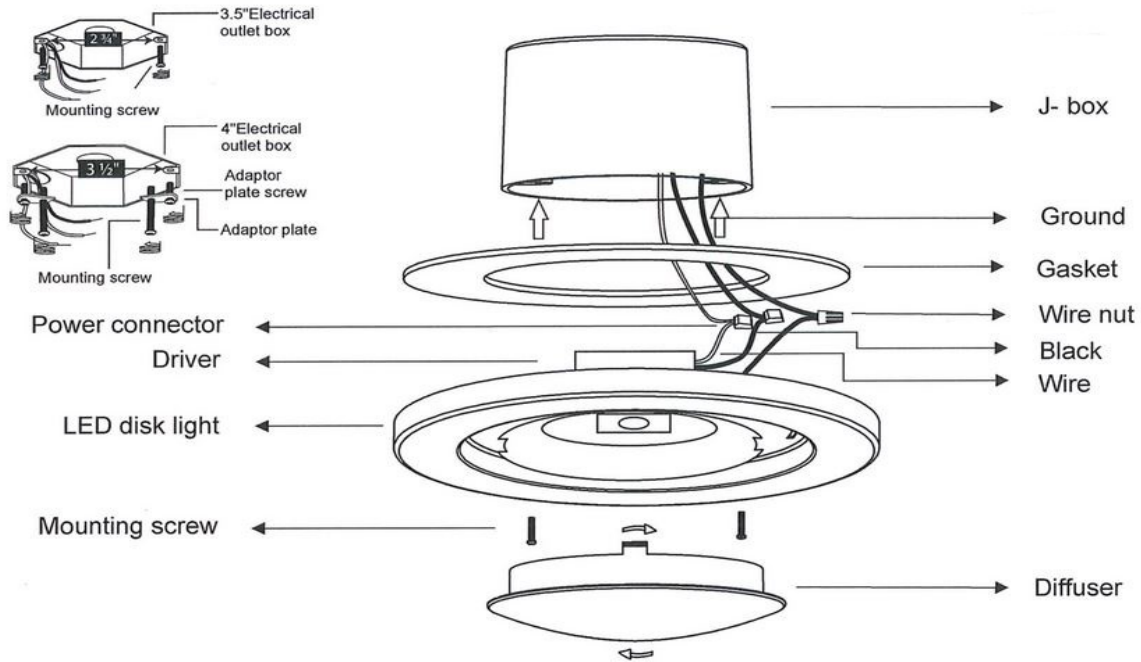


6" Accessory Kit

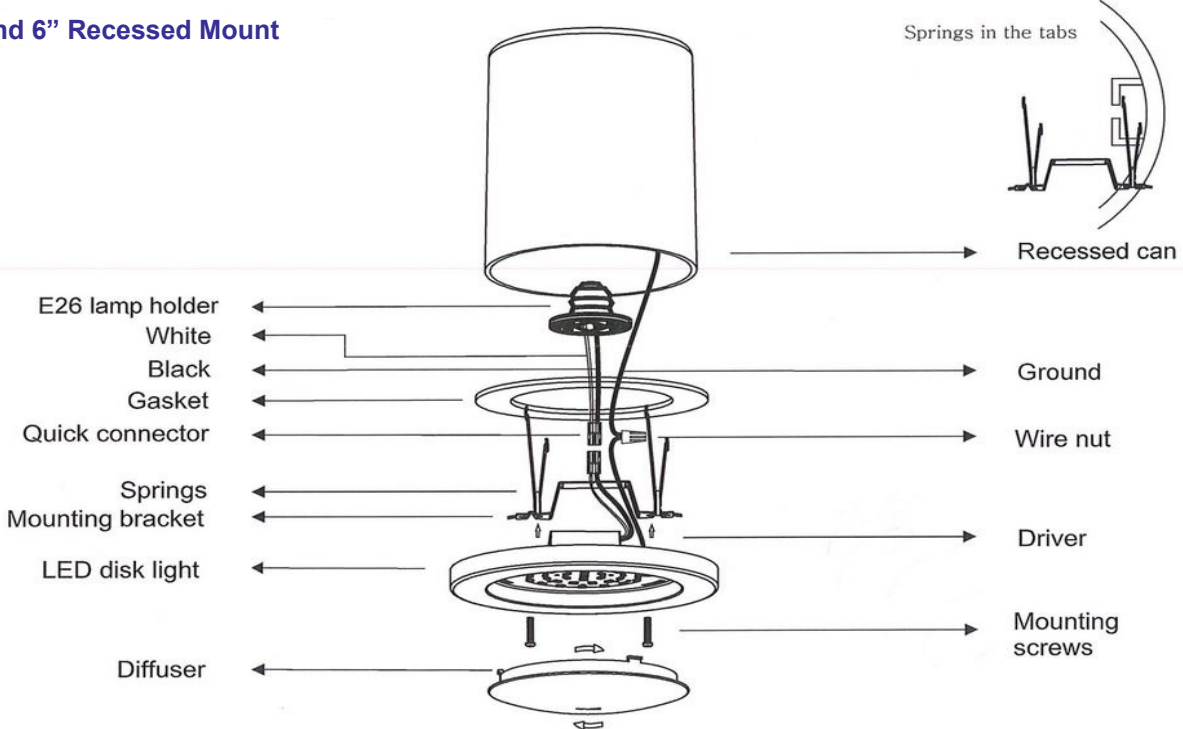
Dimensions and specifications subject to change without notice.



4" and 6" J-Box Flush Mount



4" and 6" Recessed Mount



Dimensions and specifications subject to change without notice.

