

APPLICATIONS

This sleek, low profile, direct/indirect fixture provides a soft, smooth, low glare, ambient light perfect for today's commercial buildings. This unique, squared lens, combined with our high reflectance, post powder paint, matte finish, ensure a highly efficient, superior quality lighting fixture.

FEATURES & BENEFITS

- ◆ Recessed or surface mounted
- ◆ Post painted in matte white finish with 92% reflectance
- ◆ Acrylic frosted diffuser with 90% light transmission
- ◆ Formed and welded in 24 gauge steel
- ◆ Direct/indirect lighting
- ◆ Easy removal of diffuser without any tools
- ◆ Volumetric low cost center lens



Frosted Side Lens

Perforated Side Lens

ORDERING DATA

EXAMPLE: ADIS14-LED48FRFRDMV40

ADIS		Gear		Wattage / Lumens		Center Lens		Side Lens		Driver		Color Temp	
Series	Size	Gear		Wattage / Lumens		Center Lens		Side Lens		Driver		Color Temp	
ADIS	14 1x4	LED		1x4 Standard		FR Frosted Lens		FR Frosted Lens		DMV 120-277VAC		30 3000K	
Architectural	22 2x2			22 22 Watts 2675 Lumens				PF Perforated Lens		0-10V Dimmable		35 3500K	
Direct/Indirect Luminaire	24 2x4			30 30 Watts 3415 Lumens						120-277V 40% Step Dimming		40 4000K	
				35 35 Watts 3895 Lumens								50 5000K	
				40 40 Watts 4370 Lumens									
				48 48 Watts 5120 Lumens									
				57 57 Watts 5970 Lumens									
				2x2 Standard									
				18 18 Watts 1780 Lumens									
				20 20 Watts 2155 Lumens									
				24 24 Watts 2565 Lumens									
				30 30 Watts 3065 Lumens									
				2x4 Standard									
				15 15 Watts 1660 Lumens									
				22 22 Watts 2675 Lumens									
				30 30 Watts 3480 Lumens									
				32 32 Watts 3660 Lumens									
				35 35 Watts 3855 Lumens									
				40 40 Watts 4460 Lumens									
				48 48 Watts 5230 Lumens									
				57 57 Watts 6130 Lumens									

Options	
EM	Emergency Battery Pack 10W ~1300 Lumens
EM4F	Emergency Battery Pack 4W ~450 Lumens
EM5	Emergency Battery Pack 5W ~650 Lumens
EM7	Emergency Battery Pack 7W ~900 Lumens

* Emergency Drivers may be remote mounted on 2x2 fixtures
Lumens are subject to a tolerance of ±10%
Wattage is approximate and subject to a tolerance of ±5%

Dimensions and specifications subject to change without notice.



◆ 800-444-WATT ◆ www.mobern.com ◆

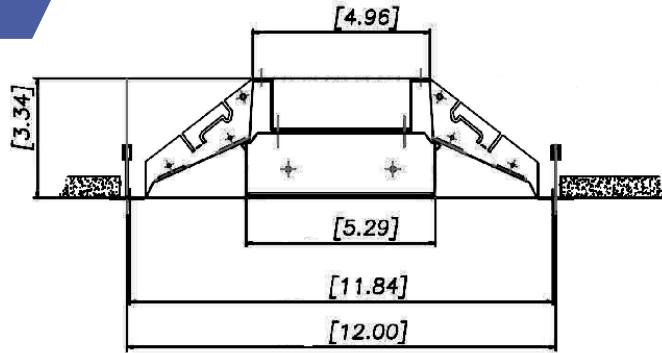
8200 Stayton Dr., Ste. 500, Jessup, MD 20794

CAT#	
JOB NAME	
TYPE	

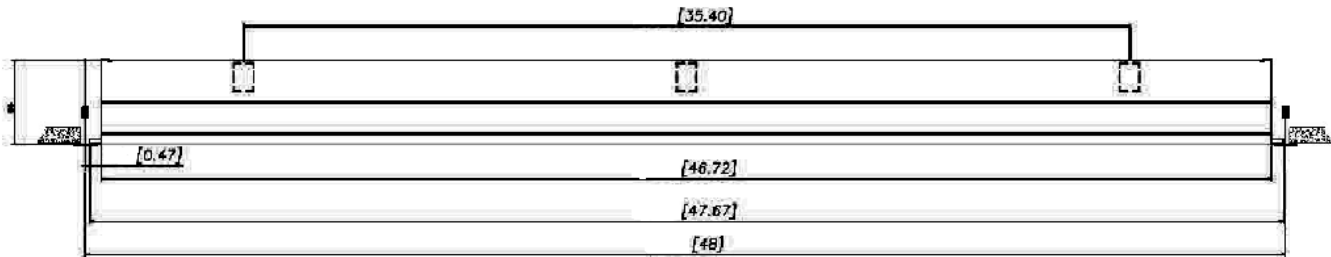
Dimensions

Dimensions in inches

1x4

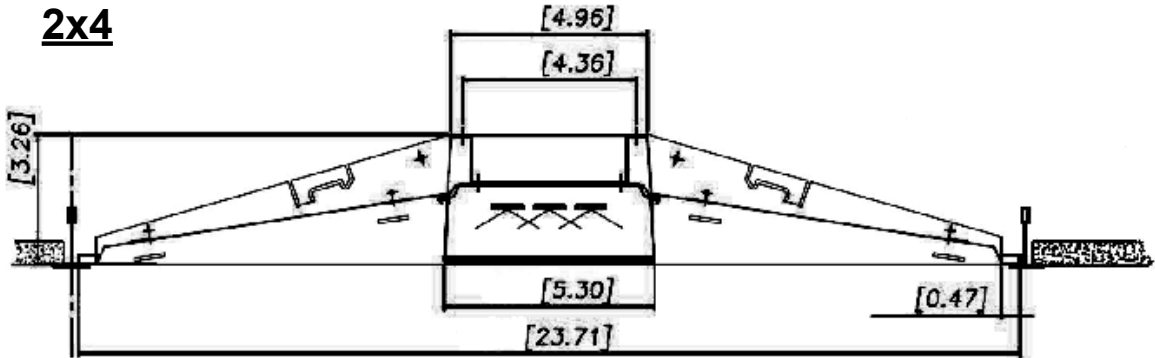


End View

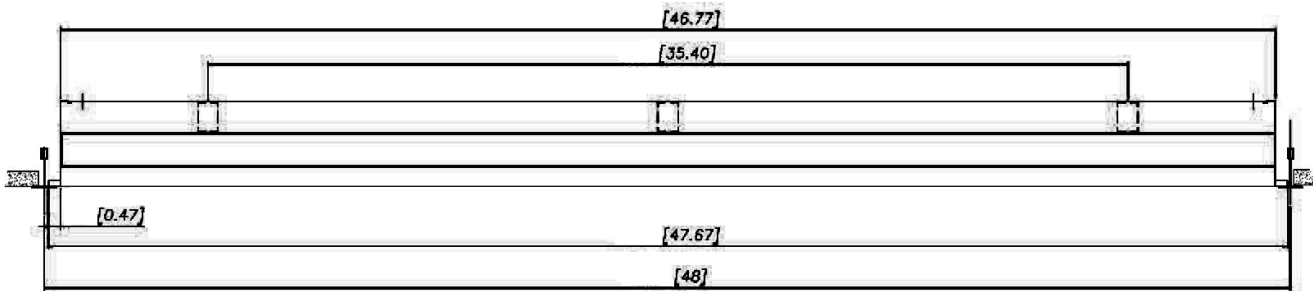


Side View

2x4



End View



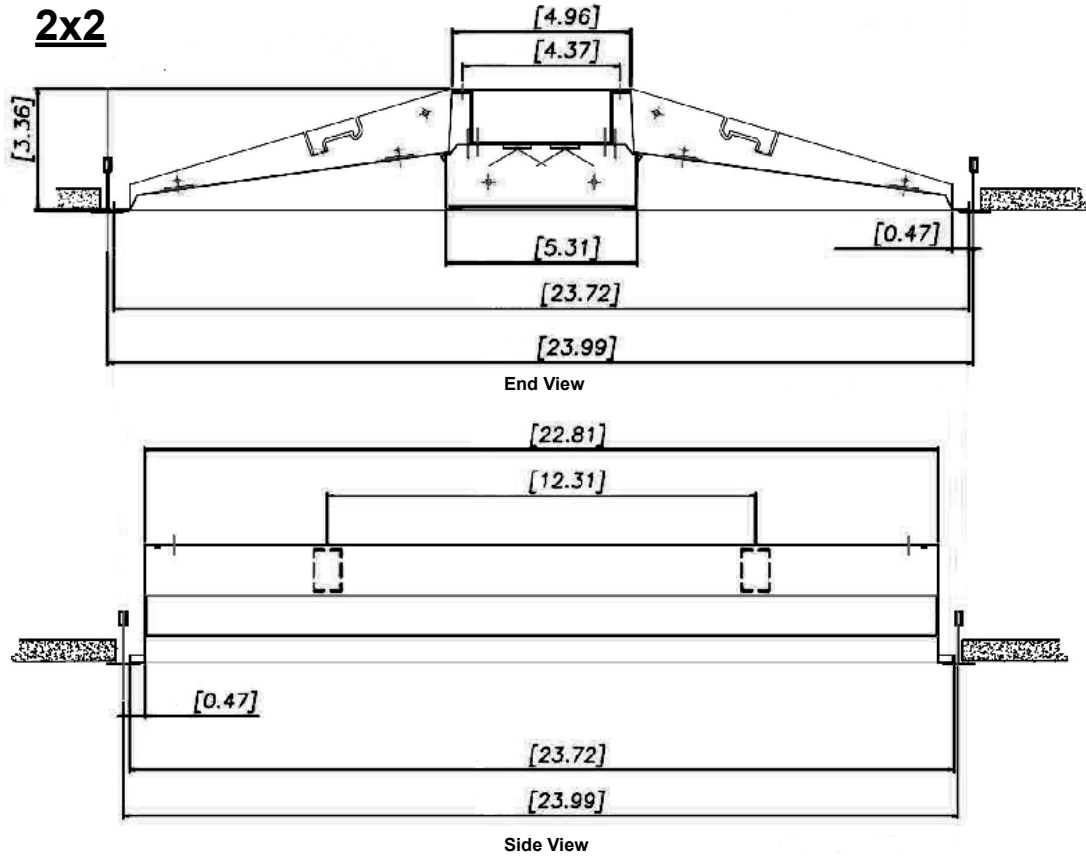
Side View

Dimensions and specifications subject to change without notice.



CAT#	
JOB NAME	TYPE

Dimensions in inches



Dimensions and specifications subject to change without notice.



CAT#	
JOB NAME	TYPE