

### APPLICATIONS

The ADLED has a slim sweeping curve design that provides low wind resistance, thus minimizing wind load requirements. Its sides are constructed by die-cast aluminum while its patented centerpiece is designed to maximize heat dissipation from the LED light engine. This technology allows the fixture to run cooler maximizing LED and driver operating life.

### FEATURES & BENEFITS

- ◆ "Body Guard" powder coated finish
- ◆ Bronze extruded aluminum alloy body
- ◆ Highly impact resistant tempered glass
- ◆ Anodized aluminum reflector
- ◆ IC Current controlled LED circuits
- ◆ Highest quality long life LED
- ◆ Low Tj for long life, low lumen depreciation
- ◆ L70 Life >50,000 hrs
- ◆ 120° Beam Angle-Standard
- ◆ 5 year warranty
- ◆ UL/cUL Listed for wet locations



### SPECIFICATIONS

The die-cast housing provides excellent protection. Architectural bronze UV resistant powder coat "Body Guard" finish with a 5 year warranty

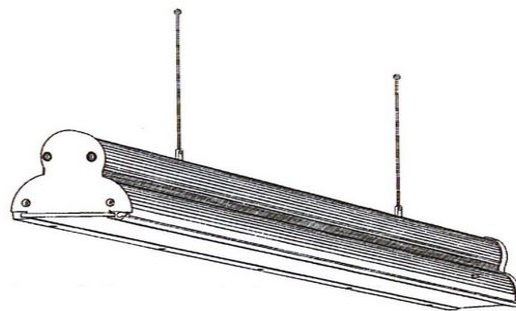
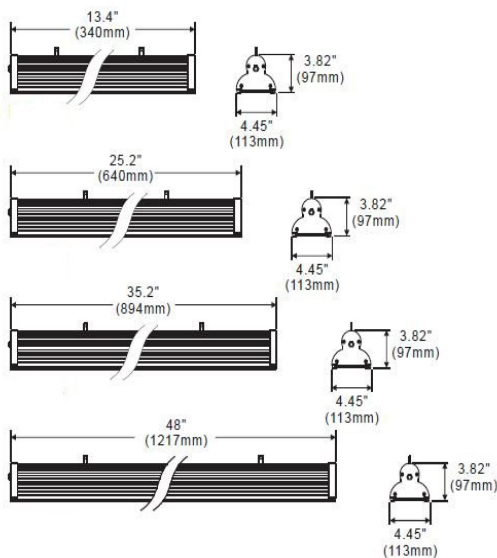
Item Number	L x W x H	Watts/Lumens	Driver	Finish	Color Temp	CRI
AD13LED8MVBZ47	13.4" x 4.45" x 3.82"	8/720	120-277V	Bronze	4700K	75+
AD25LED22MVBZ47	25.2" x 4.45" x 3.82"	22/1440	120-277V	Bronze	4700K	75+
AD35LED35MVBZ47	35.2" x 4.45" x 3.82"	35/2160	120-277V	Bronze	4700K	75+
AD48LED43MVBZ47	48.0" x 4.45" x 3.82"	43/2880	120-277V	Bronze	4700K	75+

#### ACCESSORIES

LED-UBRK-AD Bracket-Mounting U

#### OPTIONS

Add Suffix "N" Narrow 40° Beam Angle  
Consult for custom finishes



Mounting brackets sold separately.



Dimensions and specifications subject to change without notice.



IP65

**MOBERN**  
L I G H T I N G

◆ 800-444-WATT ◆ www.mobern.com ◆  
8200 Stayton Dr., Ste. 500, Jessup, MD 20794

CAT#	
JOB NAME	TYPE