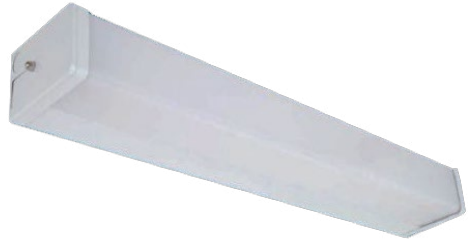


APPLICATIONS

Angled LED chrome fixtures provide softly angled light. Designed for bathrooms, kitchens, bulletin boards and above vanity mirrors.

FEATURES & BENEFITS

- ◆ Smooth white opal acrylic wraparound diffuser
- ◆ Single or continuous row mounting with optional contour band
- ◆ Post chrome plated steel housing is standard
- ◆ Optional white enamel finish available
- ◆ Optional switch available
- ◆ Every fixture individually tested
- ◆ ETL Listed



SPECIFICATIONS

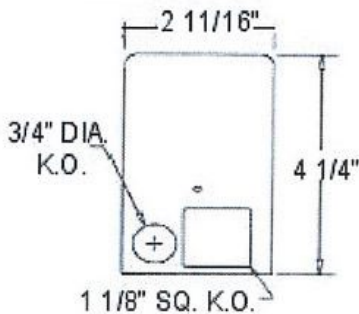
Housing and ends are die-formed from cold rolled steel. Finish is post chrome plated on housing and end caps. One piece end caps fasten with single acorn type nut. Extruded white translucent acrylic diffuser provides soft illumination. Diffuser is retained by a grooved formation running the length of the fixture and is held in place by the end caps. Mounting holes are provided. Mounts over electrical junction box. Knockouts are provided for flexible conduit attachment. Optional decorative contour bands are available when units are row mounted.

ORDERING DATA

EXAMPLE: 791-24LED24DMV30

791		LED		Watts & Lumens		Housing		Driver		Color Temp		
Series	Size	Gear										
791	24 24" 48 48"	LED	2ft.		--	Chrome (std)		DMV	Dimmable	30	3000K	
			12 12 Watts 1100 Lumens		WH	White			120-277VAC	35	3500K	
			4ft.						0-10V	40	4000K	
			24 24 Watts 2200 Lumens					MV	Step dimming	50	5000K	
									120V-277VAC			
									100%-40%			

*Consult for Triac dimming.
Consult factory for other options.



Dimensions and specifications subject to change without notice.

