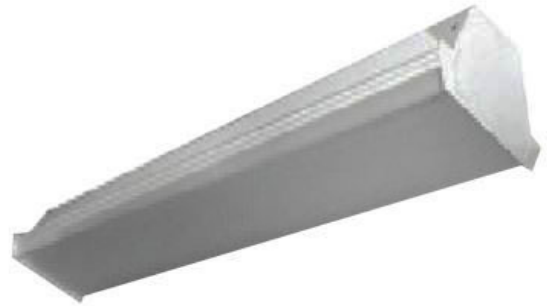


APPLICATIONS

With 1, 2, or 3 rows of LED in cross section, and a clear acrylic #8 pattern lens, this wraparound is suitable for a wide variety of applications. A full wireway allows more uniform light distribution.

FEATURES & BENEFITS

- ◆ Suitable for a variety of applications such as corridors, stairwells and long run applications
- ◆ CRI 80+
- ◆ Made in USA



SPECIFICATIONS

Housing is a 22 gauge baked white enamel cold rolled steel body and ends. No tools required for driver access. Wiring knockouts are provided on back and ends of housing.

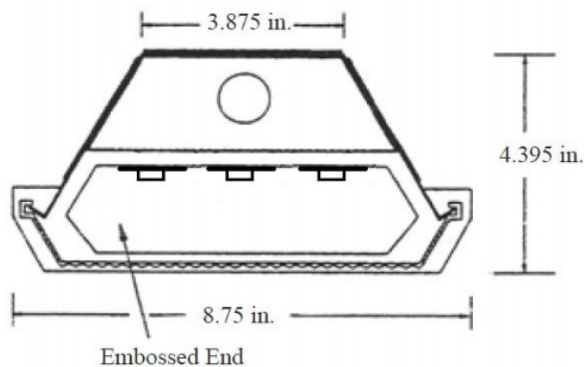
ORDERING DATA

EXAMPLE: 774-48LED32DMV40

774	LED	DMV			
Series	Size	Wattage / Lumens	Driver Type	Kelvin Temperature	Options
774	48 48 inches	4 ft. 32 32 Watts 3450 Lumens 48 48 Watts 5000 Lumens 57 57 Watts 5700 Lumens	DMV 120-277VAC Dimming Multivolt 0-10V SDMV Stepdimming Multivolt 120-277VAC	30 3000K 35 3500K 40 4000K 50 5000K	EM 10W, ~1200 Lumen Battery backup EM7 7W ~840 Lumen Battery backup EM5 5W ~600 Lumen Battery backup WP 6' Whip 3 Wire
					Consult factory for options

*Consult for triac dimming

DIMENSIONS



Dimensions and specifications subject to change without notice.

