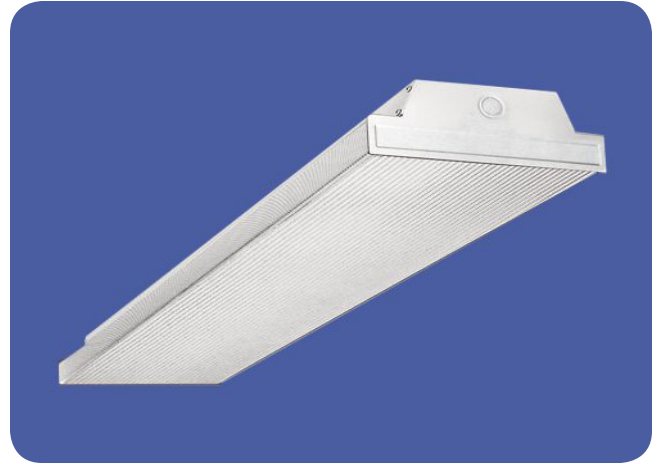


APPLICATIONS

Premium grade surface mounted wraparound luminaire with low brightness linear sides. For use in indoor applications where high efficiency, high performance and ease of installation is required. Ideal for retail stores, stairwells, utility areas, schools, offices and public buildings.

FEATURES & BENEFITS

- ◆ Nominal 11" and 15" wraps
- ◆ Clear acrylic diffuser with prismatic bottom and ribbed linear sides
- ◆ Diffuser self-aligns and hinges from either side for easy maintenance
- ◆ Available in multiple lamp configurations
- ◆ Available in lengths from 24 to 96 inches - (2', 3', 4', 6', 8' lengths)
- ◆ Surface, stem or chain mountable
- ◆ Single or continuous row mounting capability
- ◆ Every fixture individually tested
- ◆ **UL** listed for damp location



SPECIFICATIONS

Housing and ends are die-formed from cold rolled steel. Finish is high reflectance baked white enamel with a reflectance factor exceeding 86%. Ballast cover snaps into place eliminating the need for tools when accessing the ballast. Diffuser hinges from either side in a lift and shift manner and is self-centering. Listed by and bears **UL** label.

ORDERING DATA

EXAMPLE: 772 2 32 MV B1

772							
Series	Type	# of Lamps	Lamp Type	Ballast Type			
772 Premium Wraparound	Blank Standard (All lamps available) N Narrow Unit (1L & 2L available)	1 1 Lamp* 2 2 Lamp 3 3 Lamp* 4 4 Lamp	14 22" T5 17 24" T8 21 34" T5 24 22" T5HO 25 36" T8 28 46" T5 28TAN 2-36" TAN T8 32 48" T8 32TAN 2-48" TAN T8 39 36" T5HO 54 46" T5HO 54TAN 2-46" TAN T5HO 72T8 72" T8HO 72T8HO 72" T12HO (Voltage specific) 96T8 96" T8 96T8HO 96" T8HO 96T12ELHO 96" T12HO	MV Electronic 120V to 277V 120V Electronic 120V 277V Electronic 277V R120 Residential Electronic 120V PMV Program Start Multivolt LED** Wired 1 end hot for T8 LED tubes LED2E** Wired 2 ends hot for T8 LED tubes	** Assembled with no ballast, made for UL Listed, self ballasted retrofit LED lamps		
				Options			
				B1 T8/T5 1L 500 Lumens Battery Backup (B11)			
				B2 T8/T5 1L/2L 700 Lumens Battery Backup (B48)			
				B3 T8/T5 1L/2L 1400 Lumens Battery Backup (B223)			
				B51 T5HO 1L 500 Lumens Battery Backup (B625)			
				B52 T5HO 1L 800 Lumens Battery Backup (B585)			
				B53 T5HO 1L 1300 Lumens Battery Backup (B626)			
				SW Smooth White Lens (773 Series)			
				OS Occupancy Sensor			
				11 Dual Ballasts 1 Lamp + 1 Lamp			
				21 Dual Ballasts 2 Lamp + 1 Lamp			
				22 Dual Ballasts 2 Lamp + 2 Lamp			
				31 Dual Ballasts 3 Lamp + 1 Lamp			
				RIF Radio Interference Filter			
				XS Silver MIRO 4 Reflector			

Brands	
Code No.	Description
A	Advance
G	GE Ballast
L	Lutron
S	Sylvania Ballast
U	Universal

Performance Levels

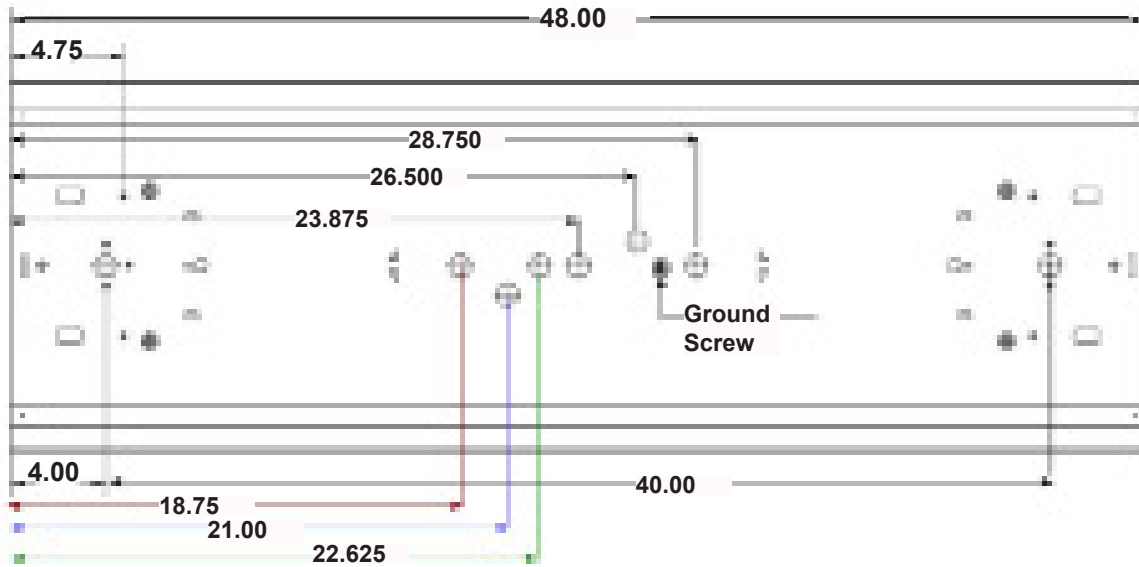
Ballast			
Manufacturer	Standard - Leave blank if no preference	High Efficiency Instant Start	High Efficiency Program Start
Advance (A)	Centium ICN (A)	Optanium (AL, AN, AH)	Optanium PS (APL, APN ???)
GE (G)	Proline GE (G)	UltraMax (GL, GN, GH)	UltraStart (GPL, GPH, GPH)
Osram/Sylvania (S)	Quicktronic Pro (S)	Quicktronic QHE (SL, SN, SH)	ProStart (SPL, SPN, SPH)
Universal (U)	ULT STD Electronic (U)	HP Electronic (UL, UN, UH)	AccuStart (UPI, UPN, UPH)

Dimensions and specifications subject to change without notice.

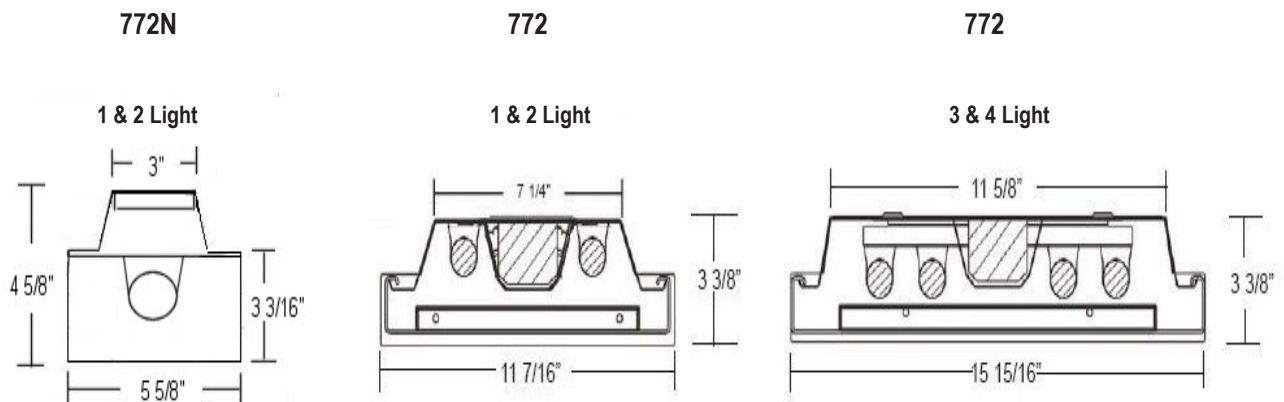
CAT#	
JOB NAME	
TYPE	

DIMENSIONS

TOP VIEW



END VIEWS



Dimensions and specifications subject to change without notice.