

APPLICATIONS

This series combines the desirable characteristics of the traditional wraparound with an extremely low silhouette to provide a specification luminaire for the conservative budget. This series is engineered to provide comfortable brightness values in the direct glare zone.

FEATURES & BENEFITS

- ◆ Engineered to provide comfortable brightness values in the direct glare zone
- ◆ Available in two, four and eight foot lengths. Ideal for schools, stores and offices
- ◆ Uplight component adds to its attractiveness as well as its efficiency
- ◆ Min CRI 80
- ◆ cETL_{US} listed



SPECIFICATIONS

Body ends are die formed of 20 gauge cold rolled steel for both rigidity and uniformity. A crystal clear diffuser extruded from 100% virgin acrylic will maintain its color under normal conditions indefinitely. Linear prisms on the interior side walls direct the light ceilingwards, which can then reflect back down. Diffuser is lift and shift for ease of relamping and cleaning and is capable of hanging down from either side of the housing.

ORDERING DATA

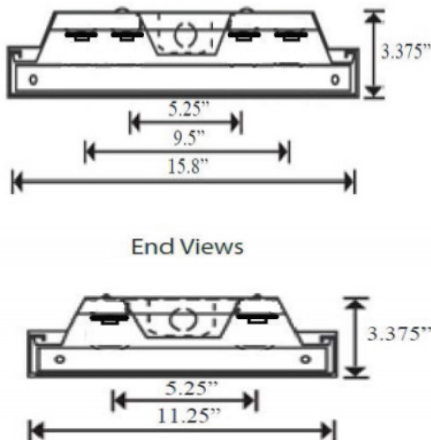
EXAMPLE: 772-24LED24DMV40

772		LED		DMV					
Series	Size	Width		Gear	Wattage	Driver Type	Color Temp	Options	
772	24 24" 48 48" 96 96"	Blank W	Standard Wide	LED	2 ft. 20 20 Watts 2100 Lumens 24 24 Watts 2500 Lumens 28 28 Watts 2800 Lumens 30 30 Watts 3060 Lumens	DMV 120-277VAC Dimming Multivolt 0-10V SDMV 120-277VAC 50% Step Dimming	30 3000K 35 3500K 40 4000K 50 5000K	EM 10W ~1200 Lumen Battery backup EM7 7W ~840 Lumen Battery backup EM5 5W ~600 Lumen Battery backup WP 6' Whip 3 Wire	
					2 ft. Wide Only (4 Rows) 32 32 Watts 3450 Lumens 48 48 Watts 5000 Lumens 57 57 Watts 5700 Lumens				
					4 ft. (2 Rows) 32 32 Watts 3450 Lumens 48 48 Watts 5000 Lumens 57 57 Watts 5700 Lumens 60 60 Watts 6000 Lumens H72 72 Watts 7000 Lumens				
					4 ft. Wide Only (4 Rows) 48 48 Watts 5000 Lumens 60 60 Watts 5041 Lumens 65 65 Watts 7000 Lumens 72 72 Watts 8200 Lumens 97 97 Watts 9600 Lumens 114 114 Watts 10800 Lumens				
					8 ft. (2 Rows) 48 48 Watts 5000 Lumens 65 60 Watts 6000 Lumens 97 97 Watts 9600 Lumens 114 114 Watts 10800 Lumens				

*Consult for Triac Dimming Options

*Consult for 2ft EM options

DIMENSIONS



Dimensions and specifications subject to change without notice.

