

APPLICATIONS

Economically designed narrow wraparound provides reliable and efficient lighting. Ideal for use in indoor applications such as homes, modular homes, mobile homes, stores and public building where low glare and ease of installation is required.

FEATURES & BENEFITS

- ◆ 0-10V Dimming Driver standard
- ◆ Corrosion and scratch resistant
- ◆ Nominal 9" width with a shallow design
- ◆ Clear acrylic diffuser with prismatic bottom and ribbed linear sides
- ◆ Diffuser self-aligns and hinges from either side for easy maintenance
- ◆ Available in lengths from 24 to 48 inches - (2' & 4' lengths)
- ◆ Single or continuous row mounting capability
- ◆ Surface, stem or chain mountable
- ◆ ETL Listed for damp location



SPECIFICATIONS

Housing and ends are die-formed and embossed from cold rolled steel. Inspection knockouts provided for mounting to junction box. Driver cover snaps into place eliminating the need for tools when accessing. Diffuser hinges from either side in a lift and shift manner and is self-centering. End caps may be butted together for continuous row mounting. Knockouts are provided for stem mounting.

ORDERING DATA

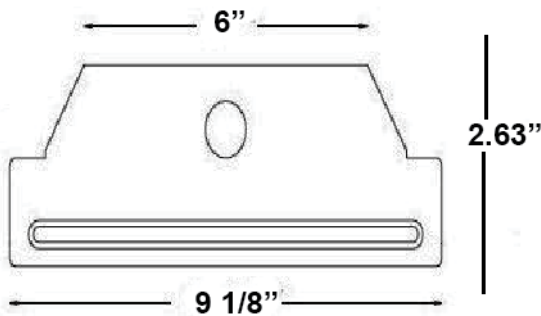
EXAMPLE: 770-48LED48DMV40

770

| Series | Size | Gear | Wattage/Lumens | Lens | Driver | Color Temp | Options | | |
|----------------------------|------------|-------------|----------------|--|--|-----------------------------------|--|--|-------------|
| 770 LED Premium Wrap | 24 24 inch | LED | 24" | | (Blank) Clear Prismatic Frosted | DMV 120-277 VAC 0-10V Dimmable | 30 3000K 35 3500K 40 4000K 50 5000K | WP 6' whip, 3 wire EM 10W, 1200 Lumen Battery backup EM5 5W, 600 Lumen Battery backup EM7 7W, 840 Lumen Battery backup | |
| | | | 12 | 12 Watts | | | | | 1665 Lumens |
| | | | 18 | 18 Watts | | | | | 2420 Lumens |
| | | | 24 | 24 Watts | | | | | 3135 Lumens |
| | | | 28 | 28 Watts | | | | | 3465 Lumens |
| | | | 30 | 30 Watts | | | | | 3630 Lumens |
| | 48" | | FR | 30 3000K 35 3500K 40 4000K 50 5000K | EM 10W, 1200 Lumen Battery backup EM5 5W, 600 Lumen Battery backup EM7 7W, 840 Lumen Battery backup | | | | |
| | 23 | 23 Watts | | | | 2650 Lumens | | | |
| | 32 | 32 Watts | | | | 3450 Lumens | | | |
| | 35 | 35 Watts | | | | 3800 Lumens | | | |
| | 48 | 48 Watts | | | | 5100 Lumens | | | |
| | 56 | 56 Watts | | | | 6000 Lumens | | | |
| 72 | 72 Watts | 8200 Lumens | | | | | | | |

Notes:
1. Consult factory for step dimming and Triac dimming options

DIMENSIONS



Dimensions and specifications subject to change without notice.

| DLC Listed | |
|------------------|----------------|
| 770-48LED23DMVxx | xx=30,35,40,50 |
| 770-48LED35DMVxx | xx=30,35,40,50 |
| 770-48LED48DMVxx | xx=30,35,40,50 |
| 770-48LED56DMVxx | xx=30,35,40,50 |



◆ 800-444-WATT ◆ www.mobern.com ◆
8200 Stayton Dr., Ste. 500, Jessup, MD 20794

CAT#

JOB NAME

TYPE