

APPLICATIONS

Economically designed narrow wraparound provides reliable and efficient lighting. Ideal for use in indoor applications such as homes, modular homes, mobile homes, stores and public buildings where low glare and ease of installation is required.

FEATURES & BENEFITS

- ◆ Nominal 8" width with a shallow design
- ◆ Clear acrylic diffuser with prismatic bottom and ribbed linear sides
- ◆ Diffuser self-aligns and hinges from either side for easy maintenance
- ◆ Available in lengths from 24 to 48 inches - (2' & 4' lengths)
- ◆ Standard two lamp configuration
- ◆ Easy re-lamping and re-ballasting
- ◆ Single or continuous row mounting capability
- ◆ Surface, stem or chain mountable
- ◆ Every fixture individually tested
- ◆ **UL** listed for damp location



SPECIFICATIONS

Housing and ends are die-formed and embossed from cold rolled steel. Finish is high reflectance baked white enamel. Inspection knockouts provided for mounting to junction box. Ballast cover snaps into place eliminating the need for tools when accessing the ballast. Diffuser hinges from either side in a lift and shift manner and is self-centering. End caps may be butted together for continuous row mounting. Narrow design provides spacing for cooler operation. Knockouts are provided for stem mounting. Listed by and bears **UL** label.

ORDERING DATA

EXAMPLE: 769 2 32 MV B1

769									
Series	# of Lamps	Lamp Type	Ballast Type	Options					
1	1 Lamp*	14	22" T5	MV	Electronic 120V to 277V			B1	T8/T5 1L 500 Lumens Battery Backup (B11)
2	2 Lamp	17	24" T8	120V	Electronic 120V			B2	T8/T5 1L/2L 700 Lumens Battery Backup (B48)
3	3 Lamp*	21	34" T5	277V	Electronic 277V			B3	T8/T5 1L/2L 1400 Lumens Battery Backup (B223)
4	4 Lamp	24	22" T5HO	R120	Residential Electronic 120V			B51	T5HO 1L 500 Lumens Battery Backup (B625)
		25	36" T8	PMV	Program Start Multivolt			B52	T5HO 1L 800 Lumens Battery Backup (B585)
		28	46" T5	LED**	Wired 1 end hot for T8 LED tubes			B53	T5HO 1L 1300 Lumens Battery Backup (B626)
		32	48" T8	LED2E**	Wired 2 ends hot for T8 LED tubes			11	Dual Ballasts 1 Lamp + 1 Lamp
		39	36" T5HO	** Assembled with no ballast, made for UL Listed, self ballasted retrofit LED lamps				21	Dual Ballasts 2 Lamp + 1 Lamp
		54	46" T5HO					22	Dual Ballasts 2 Lamp + 2 Lamp
								31	Dual Ballasts 3 Lamp + 1 Lamp
								RIF	Radio Interference Filter

Brands

Code No.	Description
A	Advance
G	GE Ballast
L	Lutron
S	Sylvania Ballast
U	Universal

Performance Levels

Ballast			
Manufacturer	Standard - Leave blank if no preference	High Efficiency Instant Start	High Efficiency Program Start
Advance (A)	Centium ICN (A)	Optanium (AL, AN, AH)	Optanium PS (APL, APN ???)
GE (G)	Proline GE (G)	UltraMax (GL, GN, GH)	UltraStart (GPL, GPH, GPH)
Osram/Sylvania (S)	Quicktronic Pro (S)	Quicktronic QHE (SL, SN, SH)	ProStart (SPL, SPN, SPH)
Universal (U)	ULT STD Electronic (U)	HP Electronic (UL, UN, UH)	AccuStart (UPI, UPN, UPH)

* Call factory for additional options
* Lamps purchased separately



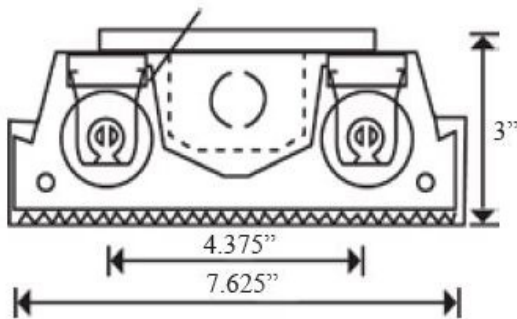
Dimensions and specifications subject to change without notice.



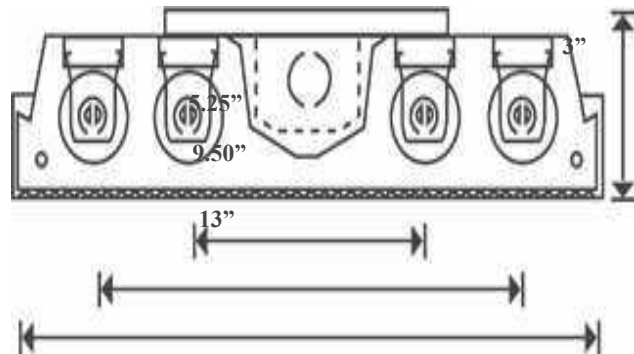
DIMENSIONS

END VIEWS

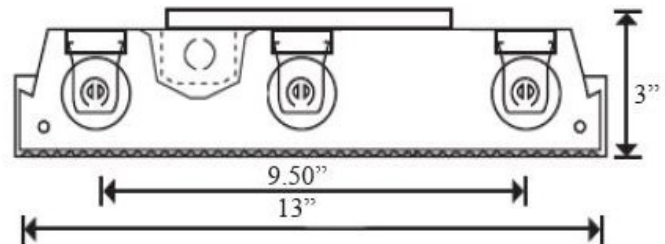
2-Light
Slide on Socket Mount



4-Light



3-Light



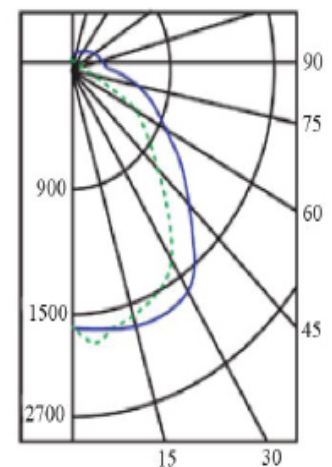
Photometrics

Calculated using the zonal cavity method in accordance with IESNA LM41 procedure. Lamp configurations shown are typical. Photometric data on these and other configurations available upon request.

Coefficients of Utilization

Floor	20%	20%	20%	20%	20%	20%	20%	20%	20%	20%	20%	20%	20%	20%	20%	20%	20%
Ceiling	80%	80%	80%	80%	70%	70%	70%	70%	50%	50%	50%	30%	30%	30%	10%	10%	10%
Wall	70%	50%	30%	10%	70%	50%	30%	10%	50%	30%	10%	50%	30%	10%	50%	30%	10%
RCR		Zonal cavity coefficients															
		209								Spacing ratio. Along 1.2 Across 1.4							
1	78	74	71	68	75	72	69	66	67	65	63	63	62	60	60	58	57
2	71	65	60	56	68	63	58	54	59	55	52	56	53	50	53	50	48
3	65	57	52	47	63	56	50	46	53	48	44	50	46	43	47	44	41
4	60	51	45	40	57	50	44	39	47	42	38	44	40	37	42	39	36
5	54	45	39	34	52	44	38	33	42	36	32	39	35	32	37	34	31
6	50	40	34	29	48	39	33	29	37	32	28	36	31	27	34	30	27
7	46	36	30	26	45	35	30	25	34	28	25	32	27	24	31	26	23
8	43	33	26	22	41	32	26	22	30	25	21	29	24	21	28	23	20
9	39	29	23	19	38	29	23	19	27	22	19	26	21	18	25	21	18
10	36	27	21	17	35	26	21	17	25	20	16	24	19	16	23	19	16

Distribution Curve



Dimensions and specifications subject to change without notice.

