

APPLICATIONS

Angled one light and two light chrome fixtures provide softly angled light. Designed for bathrooms, kitchens, bulletin boards and above vanity mirrors.

FEATURES & BENEFITS

- ◆ Smooth white opal acrylic wraparound diffuser
- ◆ Single or continuous row mounting with optional contour band
- ◆ Post chrome plated steel housing is standard
- ◆ Optional white enamel finish available
- ◆ Optional switch available
- ◆ Available in one or two lamp configurations
- ◆ Every fixture individually tested
- ◆ UL Listed for damp location

SPECIFICATIONS

Housing and ends are die-formed from cold rolled steel. Finish is post chrome plated on housing and end caps. One piece end caps fasten with single acorn type nut. Extruded white translucent acrylic diffuser provides soft illumination. Diffuser is retained by a grooved formation running the length of the fixture and is held in place by the end caps. Mounting holes are provided. Mounts over electrical junction box. Knockouts are provided for flexible conduit attachment. Optional decorative contour bands are available when units are row mounted. Listed by and bears **UL** label.



ORDERING DATA

EXAMPLE: 741 1 32 W ELO DT B1

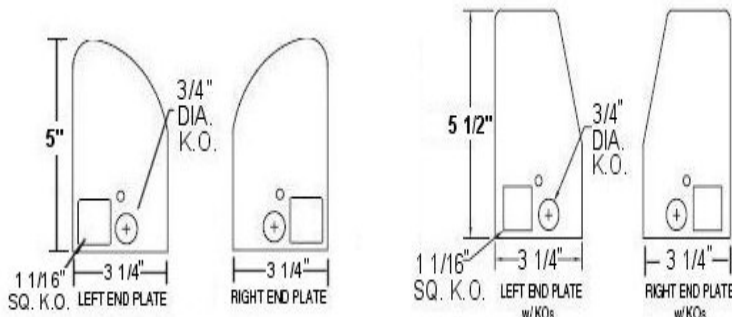
Series	# of Lamps	Lamp Size	Housing Type	Ballast Type	Trim Options
74	1	1 Lamp	C Chrome	MV Multi-volt	B1 Battery backup 1 lamp
741	2	2 Lamp	W White	DMV Dimming Multi-volt	B2 Battery backup 2 lamp
		15 T8 18"			+ 2 Ballasts
		17 T8 24"			RIF Radio interference filter
		25 T8 36"			PS Pull switch
		32 T8 48"			

*Call for additional options

74 - See accessories page for contour band (A311)
741 - See accessories page for contour band (A94)

74 Series End Plate View

741 Series End Plate View



NOMINAL DIMENSIONS	
SIZE	LENGTH
(1 or 2) 15W	18 1/4"
(1 or 2) 17W	26 1/4"
(1 or 2) 25W	36 1/4"
(1 or 2) 32W	48 1/4"

Dimensions and specifications subject to change without notice.



◆ 800-444-WATT ◆ www.mobern.com ◆
8200 Stayton Dr., Ste. 500, Jessup, MD 20794

CAT#

JOB NAME

TYPE