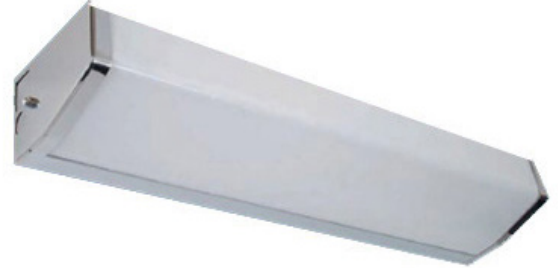


APPLICATIONS

Angled LED chrome fixtures provide softly angled light. Designed for bathrooms, kitchens, bulletin boards and above vanity mirrors.

FEATURES & BENEFITS

- ◆ Smooth white opal acrylic wraparound diffuser
- ◆ Single or continuous row mounting with optional contour band
- ◆ Post chrome plated steel housing is standard
- ◆ Optional white enamel finish available
- ◆ Optional switch available
- ◆ Every fixture individually tested
- ◆ ETL Listed
- ◆ Min CRI 80



SPECIFICATIONS

Housing and ends are die-formed from cold rolled steel. Finish is post chrome plated on housing and end caps. One piece end caps fasten with single acorn type nut. Extruded white translucent acrylic diffuser provides soft illumination. Diffuser is retained by a grooved formation running the length of the fixture and is held in place by the end caps. Mounting holes are provided. Mounts over electrical junction box. Knockouts are provided for flexible conduit attachment. Optional decorative contour bands are available when units are row mounted.

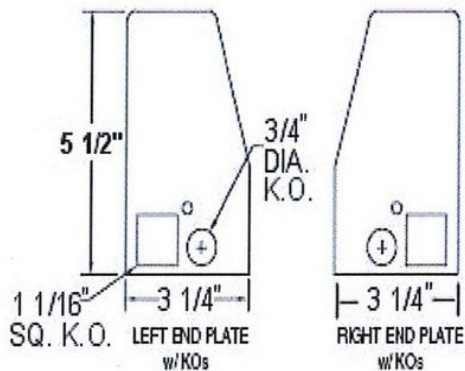
ORDERING DATA

EXAMPLE: 741-24LED24DMV30

741		LED											
Series	Size	Gear	Wattage & Lumens		Housing		Driver*		Color Temp		Options		
741	24	24 inch	LED	24 in		---	Chrome	DMV	Dimmable Multivolt 120-277VAC 0-10V	30	3000K	EM	Emergency Battery Pack 10W ~1300 Lumens
	48	48 inch		24	24 Watts 2250 Lumens	WH	White			35	3500K		
				28	28 Watts 2550 Lumens			SDMV	Step Dimming 120-277VAC 100%-40%	40	4000K	EM7	Emergency Battery Pack 7W ~900 Lumens
				48 in		50	5000K						
				24	24 Watts 2250 Lumens								
		48	48 Watts 4500 Lumens										
		57	57 Watts 5100 Lumens										

*Consult for Triac dimming
Consult factory for other options

*Consult for 2 ft EM options



Dimensions and specifications subject to change without notice.

