

### APPLICATION

Commercial grade surface mounted bracket luminaire for use in indoor applications such as nursing homes, hospitals, and other areas requiring a bed light.

### FEATURES & BENEFITS

- ◆ Baffles for up and down light
  - ◆ Clear acrylic ribbed wraparound lens
  - ◆ Screw fastened end caps secure diffuser in place
  - ◆ Available in 1, 2, 3 & 4 lamps
  - ◆ Individual or continuous row application
  - ◆ **UL** listed for damp location
- Optional internal divider separates up and down light. Optional front baffle restricts light to up and down only (no front light). Add dual ballasts for separate control of up and down light.
  - Options include emergency ballasts, pull chain switches, and convenience outlets.
  - CONTACT FACTORY for custom, compact fluorescent night light options.



### SPECIFICATIONS

Housing and end caps are die-formed from cold rolled steel. Finish is high reflectance baked white enamel. Diffuser is held in place on both ends by screw fastened end caps for a clean look and for easy access to the fixture during maintenance. End caps may be removed for continuous row mounting with the use of optional contour band. Mounts over electrical junction box. Mounting holes are provided. Listed by and bears **UL** label.

### ORDERING DATA

EXAMPLE: 1582U2U32BAFMVGC0

158				BAF					
Series	Lamp Count	Lamp Type		Baffle	Ballast	Options			
<b>158</b> Wall Mount Bed Light	<b>1U1D</b> One uplight, one downlight	<b>17</b>	24 in. T8	<b>BAF</b> Front Baffle	<b>MV</b> Multi-Volt, 120-277 Program Start Multivolt	<b>PS</b> Pull chain, 2 way switching (Use with single ballasts)			
	<b>1U2D</b> One uplight, two downlight	<b>25</b>	36 in. T8		<b>PMVL</b> Program Start Multivolt 120-277VAC	<b>3PS</b> 4 position pull chain (Up/Down)			
	<b>2U2D</b> Two uplight, two downlight	<b>32</b>	48 in. T8			<b>GCO</b> Grounded convenience outlet (North American 3 Prong)			
	<b>2U1D</b> Two uplight, one downlight					<b>B1</b> Emergency ballast, 500 lumens			
						<b>B2</b> Emergency ballast, 700 lumens			

Dimensions and specifications subject to change without notice.



◆ 800-444-WATT ◆ www.mobern.com ◆  
8200 Stayton Dr., Ste. 500, Jessup, MD 20794

CAT#

JOB NAME

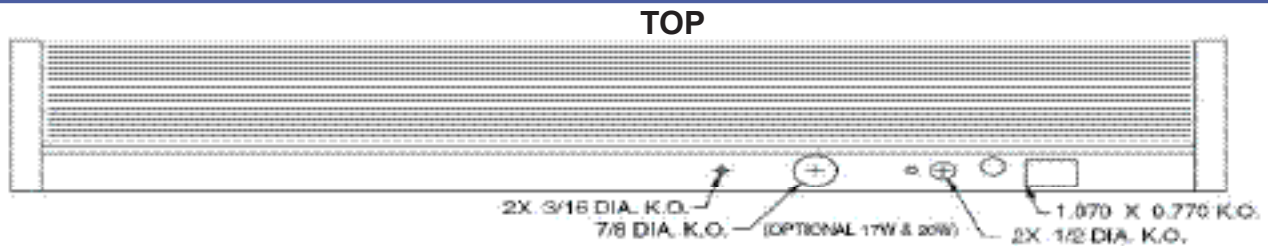
TYPE

### DIMENSIONS

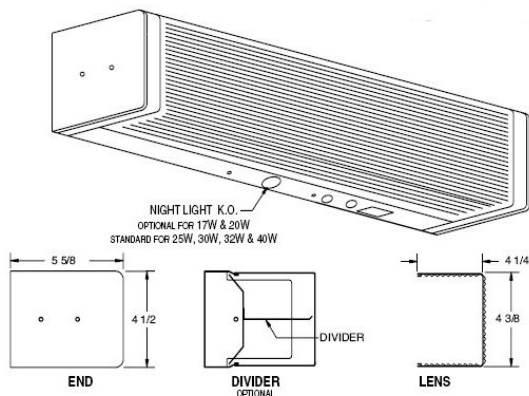
#### TOP VIEW



#### SIDE VIEW W/LENS



#### END VIEW W/LENS



Model Configuration	A (in.)
17	24 3/8"
25	36 3/8"
32	48 3/8"



Dimensions and specifications subject to change without notice.

◆ 800-444-WATT ◆ www.mobern.com ◆

8200 Stayton Dr., Ste. 500, Jessup, MD 20794

CAT#

JOB NAME

TYPE