

APPLICATIONS

The 158 is a specification grade wall mount for "over-the-bed" applications and may also be used in bath, stairwells and offices. Its rectangular shape provides a clean, crisp profile.

FEATURES & BENEFITS

- ◆ Optional dividers, front baffles and dual ballasts
- ◆ Clean, crisp profile
- ◆ Up and down light are individually controlled.
- ◆ Min CRI 80
- ◆ _cETL_{us} listed



SPECIFICATIONS

Housing is die-formed and embossed code 22 gauge steel. Standard finish is high reflectance baked white enamel; custom finishes are available as an option. Wiring knockouts are provided on back of housing. The clear, ribbed lens is fully captured by the end plate. End cap is held in place with acorn nuts.

ORDERING DATA

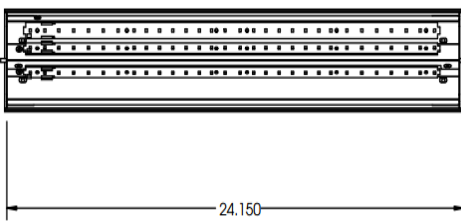
EXAMPLE: 158- 24LED1U1D24DMV40

158		LED							
Series	Size	Gear	LED Distribution	Wattage / Lumens		Baffle		Color Temp	
158	24 24 inches 48 48 inches	LED	<u>2ft.</u> 1U1D - 1 row up, 1 row down 1U2D - 1 row up, 2 rows down 2U1D - 2 rows up, 1 row down	24 36 48	24 Watts 2665 Lumens 36 Watts 3997 Lumens 48 Watts 5330 Lumens	(blank) No baffle BAF Front baffle		30 3000K 35 3500K 40 4000K 50 5000K	EM 10W 1300 Lumen PS1 Single position pull chain PS3 Three position pull chain WP 6' Whip 3 Wire Consult factory for options
			<u>4ft.</u> 1U1D - 1 row up, 1 row down 1U2D - 1 row up, 2 rows down 2U1D - 2 rows up, 1 row down	48 72 97	48 Watts 5330 Lumens 72 Watts 8100 Lumens 97 Watts 10660 Lumens				

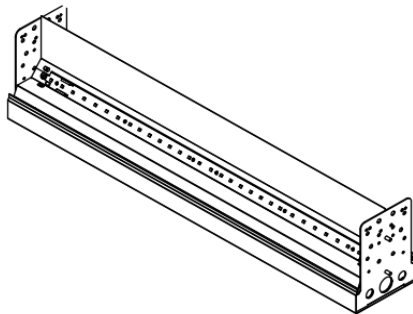
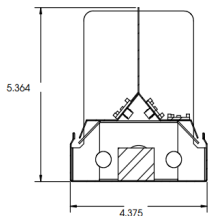
Driver*	
DMV	Dimmable 120-277VAC 0-10V
SDMV	Step Dimming 120-277VAC 100%-40%

*Consult for Triac dimming

DIMENSIONS



End View



Dimensions and specifications subject to change without notice.



CAT#	
JOB NAME	
TYPE	