

**APPLICATIONS**

Typical applications for this SmartSense Series include open office cubicles, offices, conference rooms, restrooms and hallways. This technology also provides superior detection in hard surfaced areas, such as stairwells and hallways. Bi-level lighting control is available (consult factory for options) resulting in up to 66% energy savings for fixtures that are on 24-hours a day, seven days a week, while still providing enough light for safety and egress.

**FEATURES & BENEFITS**

- ◆ **Featuring Wattstopper FS-505 Ultrasonic Smart Sensor**
- ◆ White opal acrylic wraparound diffuser with an optional prismatic lens
- ◆ Screw fastened end caps secure diffuser in place
- ◆ Available in one or two lamps
- ◆ Individual or continuous row application
- ◆ Optional chrome fixture finishes available
- ◆ UL listed for damp location



**SPECIFICATIONS**

Versatile linear fluorescent fixture available with integral ultrasonic occupancy sensor to sense motion within a space and automatically turns lights on even when the sensor has no direct line of sight to occupants. When the area is vacated and the time delay has elapsed, the sensors automatically turn the lights off. Ultrasonic detection operates by transmitting sound waves throughout an area and measuring the speed at which they return. Movement increases the return frequency, which triggers occupancy. Wattstopper Ultrasonic Smart Sensors provide functions for testing, overriding the fixture 'ON' and a 72-hour lamp burn-in mode. Listed by and bears UL label.

**ORDERING DATA**

EXAMPLE: 155SW232CPMVB1

155SW		Lamp Type		Housing Type		Ballast		Options		Accessories	
Series	No. of Lamps (per cross section)										
155SW		14	22" 14WT5	W	White (STD)	MV	Multi-Volt, 120-277				
SmartSense	1	15	18" 15WT8	C	Chrome	120	Elec. 120V	See Options & Accessories Page		See Options & Accessories Page	
Stairwell	2	17	24" 17WT8			277	Elec. 277V				
Bracket		24	22" 24WT5HO			R120	Residential 120V				
		25	36" 25WT8			PMV	Program Multi-Volt				
		28	46" 28W T5			SDMV	Step Dimming				
		32	48" 32WT8				Multi-Volt				
		54	46" 54WT5HO								

Dimensions and specifications subject to change without notice.

CAT#	
JOB NAME	TYPE

**TECHNICAL INFORMATION**

SmartSense Fixtures that light only when you need them

1 light always on and 2 lights on when occupied

Ultrasonic technology for open area detection with line-of-sight obstructions

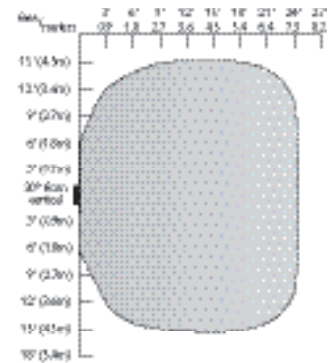
**Applications**

155SW w/ Wattstopper FS-505 Mounted in Stairwell



**Wiring & Coverage**

Coverage Patterns @ 8 ft. Mounting Height



FS-505

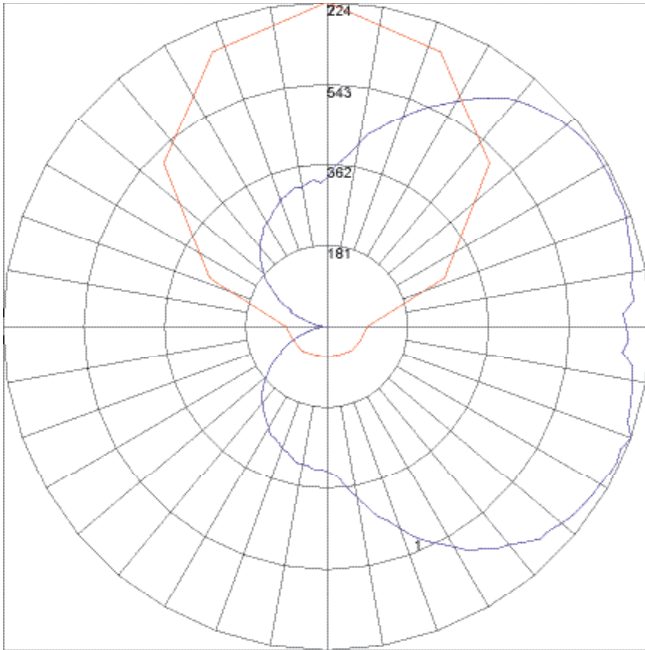
**Features**

Time Delay: 5 to 30 minutes  
Coverage at 8' height: 24' diameter

Dimensions and specifications subject to change without notice.

**PHOTOMETRICS**

IES INDOOR REPORT  
PHOTOMETRIC FILENAME : 155232MV.IES

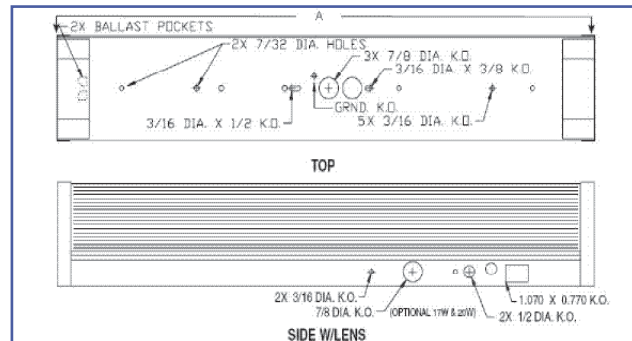
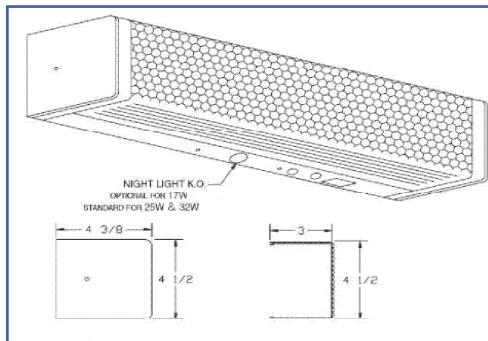


Maximum Candela = 724 Located At Horizontal Angle = 90, Vertical Angle = 70  
# 1 - Vertical Plane Through Horizontal Angles (90 - 270) (Through Max. Cd.)  
# 2 - Horizontal Cone Through Vertical Angle (70) (Through Max. Cd.)

**CHARACTERISTICS**

Lumens Per Lamp	2900 (2 lamps)
Total Lamp Lumens	5800
Luminaire Lumens	3705
Total Luminaire Efficiency	64 %
Luminaire Efficacy Rating (LER)	64
Total Luminaire Watts	58
Ballast Factor	1.00
CIE Type General	Diffuse
Spacing Criterion (0-180)	N.A.
Spacing Criterion (90-270)	N.A.
Spacing Criterion (Diagonal)	N.A.
Basic Luminous Shape	Rectangular w/Sides
Luminous Length (0-180)	4.00 ft
Luminous Width (90-270)	0.13 ft
Luminous Height	0.35 ft

**DIMENSIONS**



Dimensions and specifications subject to change without notice.

**OPTIONS & ACCESSORIES**

**BALLAST OPTIONS**

**Brands**

Code No.	Description
A	Advance
G	GE Ballast
L	Lutron
S	Sylvania Ballast
U	Universal

**Performance Levels**

Ballast			
Manufacturer	Standard - Leave blank if no preference	High Efficiency Instant Start	High Efficiency Program Start
Advance (A)	Centium ICN (A)	Optanium (AL, AN, AH)	Optanium PS (APL, APN)
GE (G)	Proline GE (G)	UltraMax (GL, GN, GH)	UltraStart (GPL, GPH, GPH)
Osram/Sylvania (S)	Quicktronic Pro (S)	Quicktronic QHE (SL, SN, SH)	ProStart (SPL, SPN, SPH)
Universal (U)	ULT STD Electronic (U)	HP Electronic (UL, UN, UH)	AccuStart (UPI, UPN, UPH)

**OPTIONS & ACCESSORIES**

- B1** T8/T5 1L 500 Lumens Battery Backup (B11)
- B2** T8/T5 1L/2L 700 Lumens Battery Backup (B48)
- B3** T8/T5 1L/2L 1400 Lumens Battery Backup (B223)
- B4** T8/T5 1L/2L 3000 Lumens Battery Backup (B510)  
\*Remote mount only
- B51** T5HO 1L 500 Lumens Battery Backup (B625)
- B52** T5HO 1L 800 Lumens Battery Backup (B585)
- B53** T5HO 1L 1300 Lumens Battery Backup (B626)
- 11** Dual Ballasts 1 Lamp + 1 Lamp
- 21** Dual Ballasts 2 Lamp + 1 Lamp
- 22** Dual Ballasts 2 Lamp + 2 Lamp
- 31** Dual Ballasts 3 Lamp + 1 Lamp
- RIF** Radio Interference Filter
- AP** Clear Acrylic Prismatic Lens
- OP** Opal Prismatic Lens

\*Lamps can be sold and shipped on side Order separately A96 (Contour Band) Call for additional options



Dimensions and specifications subject to change without notice.